



Euro Games Technology (EGT)

Founded in 2002 and headquartered in Sofia, Bulgaria, Euro Games Technology (EGT) began establishing its reputation in the highly competitive casino industry. A firm belief of the company since its creation is that the only path to success is to give more to the customers, exceeding their expectations and surpassing other suppliers' product developments.

Following these business principles, EGT achieved worldwide recognition for its high-standard portfolio, preferred by casino operators and players for its impeccable quality, outstanding design, and top-notch technology.

Nowadays, the company's product range includes a variety of video slot cabinets and games, jackpot systems, multiplayer solutions, VLT, server-based and casino management systems, and diverse gaming equipment accessories.

EGT machines are installed in over 100 countries throughout Europe, America (South, Central, and North), Africa, and Asia. International certificates obtained from various regulatory agencies and testing laboratories are evidence of the strict compliance of all gaming machines of the company with the technical and legislative requirements of many jurisdictions worldwide. In pursuit of the utmost quality, EGT is also constantly optimizing its technological environment and internal processes. As a result, the company successfully implemented the SAP ERP integrated solution for business management and has been certified in the quality management system ISO 9001:2015.

EGT's technical achievements and key product novelties are presented each year at the most prestigious local and international gaming industry exhibitions. Visit our website and find more information in the Events section.

Euro Games Technology has been recognized as one of the fastest-growing companies in the gaming industry. Within the last several years of its production, research & development activities, warehouse, and administration have developed significantly and are currently housed in 12 buildings in Bulgaria, spread across around 51,448 square meters. EGT's distribution network consists of 28 foreign offices and dealers in different global regions.

Come and visit us. We would love to show you around.



Vladimir Dokov
Chief Executive Officer

Dear customers and friends,

We start every year full of new ideas, passion, and desire for development, allowing us to put our dedication, progressive thinking, and technological breakthroughs to use in the never-ending journey toward gaming excellence.

Today I am proud to present to you the next chapter of our story – the latest edition of our product catalogue.

Meticulously organized, our numerous products showcase the result of extensive research on the needs of our clients, the latest technological advancements, and players' preferences. Combining creativity, team effort, and extensive experience, we have crafted products that exceed your expectations.

The General Series cabinets have become a benchmark for slot machines, bringing the latest innovations to your doorstep. Each unit is created and designed to fulfill a different need, creating the possibility to customize the gaming experience of your players to the last detail. The models' various curved displays are only part of their advantages that will undoubtedly raise your players' satisfaction.

We continue to consolidate our global positions by creating new single games targeting the markets of North and Latin America. A combination of unique multigame mixes and signature jackpot systems are all a part of our portfolio, creating a vast array of titles with different themes, real-life graphics, and high-performing math models.

In the catalogue, you will learn more about the new additions to the VLT and Spider systems that make them an even more intricate part of our vast portfolio. The Spider CMS offers full control of all casino operations with the push of a button, making it an invaluable asset for casino management.

Thank you for taking the time and getting acquainted with our latest product developments. I sincerely hope that, among them, you will find the best match for your gaming establishment and that they will bring you the satisfaction of having many new, excited, and loyal players.

CONTENTS

GAMES

- Jackpot Systems 8
- General Series Cabinets 54
- Premier Series Cabinets 76
- Multiplayer Terminals & Roulettes 88

MULTIGAMES

- General Multigames 100
- Power Multigames 114
- Collection Multigames 120
- Games Details 130

ACCESSORIES

- General Accessories 154

Global Solution VLT System

- Global Solution VLT System 174
- VLT Multigames 178

AWP

- AWP Cabinets..... 190
- AWP Markets..... 198

Spider CMS

- Spider CMS 216

CONTACTS

- Contacts 228

The background is a solid red color. It features several white, stylized lines that form a large, abstract shape resembling the letter 'G'. These lines are composed of multiple parallel paths, some of which are curved, creating a sense of depth and movement. The lines are positioned in the upper left and lower right corners, framing the central text.

GAMES

Gods & Kings has 4 exciting levels, of which the Grand and Major are progressive and common for all games and bets, while the Minor and Mini levels are fixed and change their values. There are also a variety of bonus games that will immerse you into a magical world where you'll get a chance to get in touch with the mysterious divine characters.

AVAILABLE GAMES



AVAILABLE CABINETS

G 55 C VIP	G 50 J1 UP	G 50 C ST
G 55 J1 VIP	G 50 J2 ST	G 50 C UP
G 50 J1 ST	G 50 J2 UP	G 50 V ST

AVAILABLE JACKPOT PANELS

GENERAL BIG LED PANEL	GENERAL LED PANEL ROUNDED - SMALL Double & Single-sided	GENERAL LED PANEL FLAT - LARGE Double & Single-sided	GENERAL LED PANEL OVAL Big & Small
GENERAL SMALL LED PANEL	GENERAL LED PANEL ROUNDED- LARGE Double & Single-sided	GENERAL LED PANEL FLAT - SMALL Double & Single-sided	RAINBOW PANEL

Premium Progressive Controller (PPC)	Gods & Kings Link
Jackpot	Multi-level progressive jackpot
Gaming Platform	EXCITER IV™
SAS Protocol	SAS 6.02

GODS & KINGS LINK

new



RISE OF RA

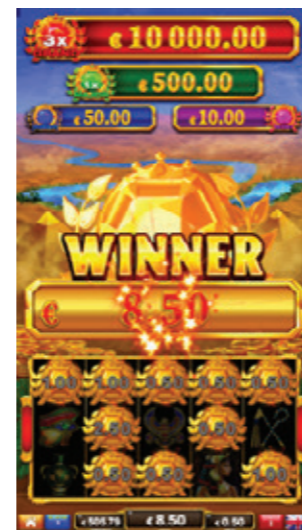
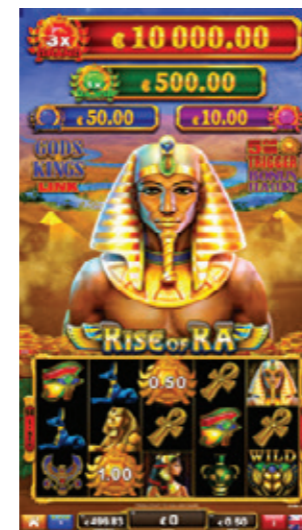


GODS
KINGS
LINK

Set off on a thrilling quest with Rise of Ra, a cherished favorite and a pivotal component of the Gods & Kings Link jackpot.

Venture into the unknown, where the appearance of 3 or more Scatter symbols unlocks the gateway to 15 Free Spins, each adorned with an x3 Multiplier. But the adventure continues with the prospect of retriggering and potentially unveiling an additional 15 Free Spins to extend your journey.

After the final Free Spin, players stand at the precipice of a Feature Chance if the Jackpot Feature hasn't been triggered during the Free Spins, adding an extra layer of excitement to your quest for riches. May the gods favor you as you strive for monumental triumphs!

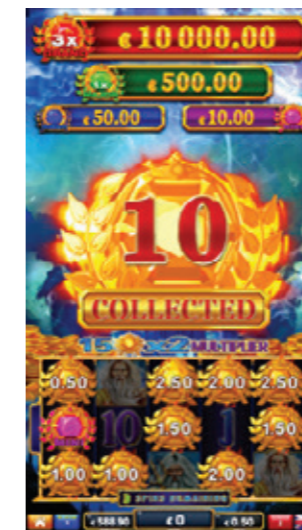


Embark on an epic odyssey to the summit of the Gods with Olympus Glory.

Discover the enchantment when 3 or more WILD symbols grace the reels, triggering a cascade of 10 Free Spins with the potential to secure an additional 10 Free Spins.

But, behold, as the last Free Spin concludes, players stand at the threshold of a Feature Chance. Should the Jackpot Feature remain elusive during the Free Spins, this play awaits.

Just remember, the Jackpot Feature can't be triggered during the Free Spins but can be triggered during the Feature Chance, adding an extra layer of suspense to your celestial escapade. May the Gods smile upon you as you navigate the reels in pursuit of glory!



OLYMPUS GLORY



GODS
KINGS
LINK

APE OF LUCK

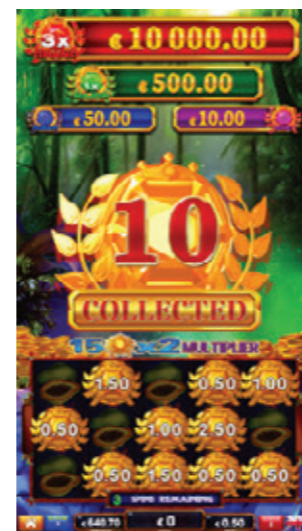
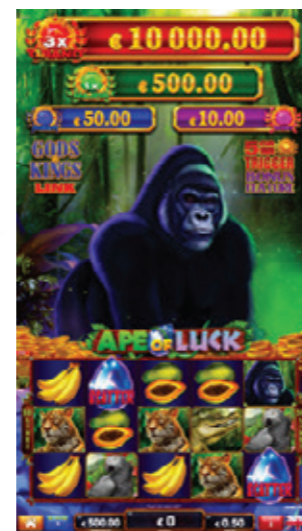


**GODS
KINGS
LINK**

Immerse yourself in a thrilling jungle adventure with Ape of Luck. When 3, 4, or 5 Scatter symbols come alive, they open the door to an exciting Coin Feature. In it, players may randomly unlock either 8 Free Spins with a growing Multiplier or the coveted Gods & Kings Link Jackpot Feature.

As the Free Spins unfolds, witness the reels undergo a mesmerizing transformation into a vibrant array of Scatter, +1 Free Spin, and empty symbols. The ultimate triumph is determined by the count of Scatter symbols, with the potential to reach an astonishing x1000 of the total game bet.

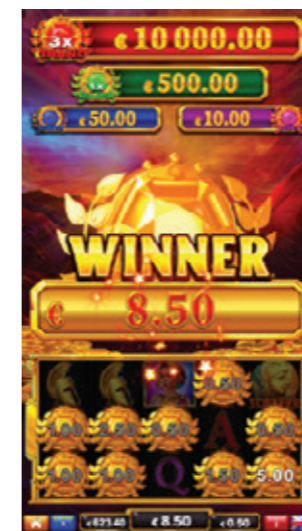
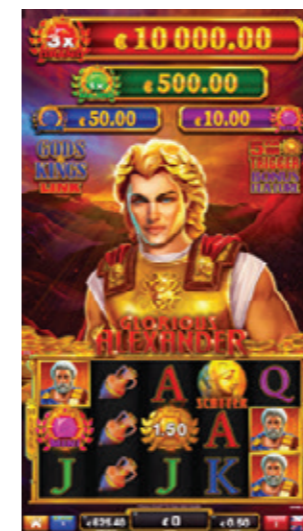
Will you be the bold explorer destined to unveil the secrets hidden within? The jungle beckons and fortune favors the daring.



Journey into the realm of Glorious Alexander, one of the greatest conquerors in history. Unveil the mysteries when 3, 4, or 5 Scatter symbols grace the reels, unlocking 10, 15, or 20 Free Spins. Behold the strategic brilliance of Alexander as his symbol leaves a mark during Free Spins, capturing positions with its distinctive Special Frame.

As the final Free Spin unfolds, witness the enchantment – every Special Frame transforms into a Wild symbol, showering players with a cascade of triumphant rewards.

Following the culmination of the last Free Spin, a Feature Chance emerges, offering a lifeline to those whose pursuit of the Jackpot Feature remains unfulfilled during the initial Free Spins saga. Will you seize this opportunity to etch your name into the chronicles of glory?



GLORIOUS ALEXANDER



**GODS
KINGS
LINK**

Bell Link has 4 exciting levels, of which the Grand and Major are progressive and common for all games and bets (Linked, Progressive), while the Minor and Mini levels are fixed and change their values according to different denominations. Minor and Mini jackpot bells are purple and blue and can be won multiple times during the Bell Link bonus; the Grand and Major levels can be attained that way too, as well as with any bet that brings a green bell or a trio of festive red bells that signal the win of the highest Grand.

AVAILABLE CABINETS

All cabinets of the series:

GENERAL



AVAILABLE MULTIGAMES

BELL Link 1

BELL Link 2

20 Super Hot	Flaming Hot
40 Super Hot	Flaming Hot Extreme
Burning Hot	Shining Crown
40 Burning Hot	40 Shining Crown
5 Dazzling Hot	Vampire Night

40 Lucky King Extreme	40 Super Hot
Zodiac Wheel Xtra	40 Burning Hot
Book of Realm	Shining Crown
Egypt Sky	40 Shining Crown
Mystic Desert	Vampire Night

Premium Progressive Controller (PPC)	Bell Link
Jackpot	Multi-level progressive jackpot
Gaming Platform	EXCITER III EXCITER IV
SAS Protocol	SAS 6.02

BELL Link





BELL Link

The Bell Link bonus is a thrill ride for every player, that triggers when 5 or more bells appear on the screen and gives away 3 free spins; from then on every bell you collect resets your free spin counter, giving away credits and activating multipliers or jackpot levels.

Another special bell is the Reels Boost that can unleash a mode of 20 reel positions for a richer, longer gaming experience.

Ready to ring the Bell?



AVAILABLE JACKPOT PANELS

GENERAL BIG LED PANEL	GENERAL LED PANEL ROUNDED - SMALL Double & Single-sided
GENERAL SMALL LED PANEL	GENERAL LED PANEL FLAT - LARGE Double & Single-sided
GENERAL LED PANEL ROUNDED- LARGE Double & Single-sided	GENERAL LED PANEL FLAT - SMALL Double & Single-sided
GENERAL LED PANEL OVAL Big & Small	RAINBOW PANEL



Supreme Combo Link has 4 exciting levels – Grand and Major are progressive, while Minor and Mini are Bonus Prize and Non-progressive.

The scarabs lead the way to wealth, starting with the Green Scarab, which grants players 8 Free Spins. In them, frames may appear around the figures, and they remain until the end of the Free Spins. As a finishing touch, one Super Spin is played, and winnings are paid only for the figures in the frames. If the frames fill out the whole screen, there is a special multiplier.

The Blue Scarab offers a Keep&Spin bonus with up to three resets when Scarabs with credit are spinning on the screen. A full screen of Blue Scarabs grants a win multiplier.

And now for the cherry on top – the Red Scarab, which starts a Jackpot Pick-up bonus with 12 elements, where opening three of the same elements, wins the corresponding jackpot level.

Another four types of bonuses await as a mix of the previous three, and if the jackpot is opened with another bonus, up to three extra coins with winnings from previous bonuses can be won.

AVAILABLE GAMES



AVAILABLE CABINETS

G 55 C VIP	G 50 J1 UP	G 50 C ST
G 55 J1 VIP	G 50 J2 ST	G 50 C UP
G 50 J1 ST	G 50 J2 UP	G 50 V ST

AVAILABLE JACKPOT PANELS

GENERAL BIG LED PANEL

Premium Progressive Controller (PPC)	Supreme Combo Link
Jackpot	Multi-level progressive jackpot
Gaming Platform	EXCITER IV
SAS Protocol	SAS 6.02

new

SUPREME COMBO LINK



EGYPT REIGN



SUPREME COMBO LINK

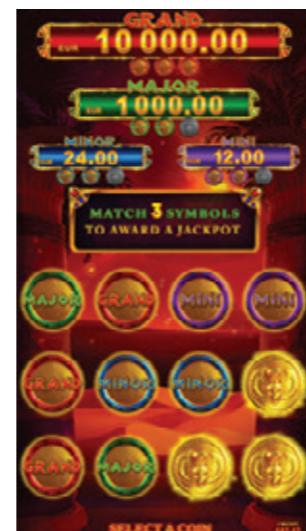
Egypt Reign and Princess of Wealth unite in the Supreme Combo Link jackpot, featuring vibrant scarabs that combine for four distinct bonus types.

The Green and Red Scarab pairing delights players with 8 Free Spins, during which frames may encase symbols, transforming them and accumulating wins by the end of the Free Spins. Subsequently, the Red Scarab credits merge, triggering a Pick-up Jackpot Bonus with 15 elements.

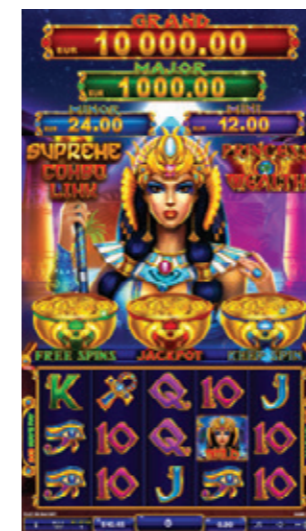
The Blue and Red Scarab duo introduces a Keep&Spin bonus comprising three spins, resettable by new symbols. Following this, the Red Scarab credits combine, initiating a Pick-up Jackpot Bonus with 15 elements.

The Blue and Green Scarab alliance unveils the familiar Keep&Spin bonus, where framed figures transform into symbols, accumulating wins. Completing the entire screen brings forth a special multiplier.

The Red, Blue, and Green Scarabs synchronize to activate a dynamic Keep&Spin. Frames may encase select Blue and/or Red Scarabs, augmenting their quantity with each spin. Ultimately, the Red Scarab credits combine, instigating a Pick-up Jackpot Bonus featuring 15 elements.



Combo Bonuses



PRINCESS OF WEALTH



SUPREME COMBO LINK

new



Premium Progressive Controller (PPC)	Ultra Tap Link
Jackpot	Multi-level progressive jackpot
Gaming Platform	EXCITER IV
SAS Protocol	SAS 6.02

Ultra Tap Link entices players for an unforgettable experience as they challenge fate itself and uncover unimaginable riches in a realm where luck is their greatest ally. The jackpot comes with 4 progressive levels that are common for all games. The jackpot feature can be triggered with every bet, and the max bet can enhance the chances of winning.

As players answer the Syren's Call for Riches, the Golden coins are the ones to watch, and if 5 of them appear and light up the screen, it's time to enjoy the Ultra TAP LINK feature, where vast riches await. There, players select from a set of chests, opening three with the same elements reveals the prizes that can vary from credits to unlocking one of the jackpot levels.

The Free Spins complete the adventure with a special Cannon symbol that doubles the winnings of the current game and grants players another Free Spin with the possibility to play up to 8 Free Spins.

AVAILABLE GAMES



AVAILABLE CABINETS

G 55 C VIP	G 50 J1 UP	G 50 C ST
G 55 J1 VIP	G 50 J2 ST	G 50 C UP
G 50 J1 ST	G 50 J2 UP	G 50 V ST

AVAILABLE JACKPOT PANELS

GENERAL BIG LED PANEL
GENERAL SMALL LED PANEL
RAINBOW PANEL



The magic of the Far East inspires many seekers of vast wealth to continue their journeys and so does it here with Cai Fu Tian Jiang: an all-new Asian themed jackpot with 4 levels and exciting new features. The Mini and Minor levels are stand-alone and non-progressive, while the Grand and Major levels are progressive and linked. Players can win free games galore and even enter into a money picking stage, aiming to collect as much riches as possible.

The games available are not only a display of visual splendor, but a conduit to many hours of sensational gameplay with many bounties and joyous twists. Delving into the mystery of Asia is a plentiful experience now more than ever.

AVAILABLE GAMES



AVAILABLE CABINETS

G 55 C VIP	G 50 J1 UP	G 50 C ST
G 55 J1 VIP	G 50 J2 ST	G 50 C UP
G 50 J1 ST	G 50 J2 UP	G 50 V ST

AVAILABLE JACKPOT PANELS

GENERAL BIG LED PANEL
GENERAL SMALL LED PANEL
RAINBOW PANEL

Premium Progressive Controller (PPC)	Cai Fu Tian Jiang
Jackpot	Multi-level progressive jackpot
Gaming Platform	EXCITER III EXCITER IV
SAS Protocol	SAS 6.02



Sands Princess welcomes you to the kingdom of Egypt. Embark on a quest to find the numerous treasures hidden in her domain, meet pharaohs and queens. EGT's new 5-level progressive jackpot offers the chance to win big, while enjoying this classic theme.

As you tread the sands of the Pharaoh's Desert or take on different adventures with the Egyptian Tale and Sands Spirit games – all of 5 reels and 25/50 lines, always expect surprises. Should you come across at least 5 scarab symbols, a Sands Princess feature is triggered and you may win the non-progressive Mini and Minor or the Maxi progressive level are all stand-alone. The most ambitious explorers of the Sands Princess' kingdom may even reach the two linked progressive levels (Grand and Major) that will turn every sand grain into silver and gold.

Housed in a variety of cabinets, the Sands Princess features a user-selectable multi-denomination. Players may win a few or even all of the jackpot levels with any bet they make and will also be pleasantly surprised by the Free Spins bonus, accompanying their journey in Egypt.

AVAILABLE GAMES



AVAILABLE CABINETS

G 27-27 ST	G 27-27 UP
G 27-32 ST	G 27-32 UP
G 32-32 VIP	G 50-50 C VIP

AVAILABLE JACKPOT PANELS

GENERAL BIG LED PANEL
GENERAL SMALL LED PANEL
RAINBOW PANEL

Premium Progressive Controller (PPC)	Sands Princess
Jackpot	Multi-level progressive jackpot
Gaming Platform	EXCITER III EXCITER IV
SAS Protocol	SAS 6.02

SANDS PRINCESS



SANDS PRINCESS



The High Cash jackpot series keeps the players brimming with anticipation. The Mini and Minor (non-progressive, stand-alone) and Major and Grand (linked, progressive) levels accumulate their power from the gorgeous single games that engulf you in a fantastic journey.

It only gets better: when you get three scatter symbols, they will trigger free spins and additional surprises. The jackpots may drop with any bet. As soon as the respin feature comes to action and a main character fills all the reels, one of the Mini, Minor, Major, or Grand vaults opens.

You can also access them with the special pick-up bonus that lays out 12 magic balls before you. Choose wisely, as three collected symbols of a kind will make one of the jackpots entirely yours.

AVAILABLE GAMES



AVAILABLE CABINETS

G 55 C VIP	G 50 J1 UP	G 50 C ST
G 55 J1 VIP	G 50 J2 ST	G 50 C UP
G 50 J1 ST	G 50 J2 UP	G 50 V ST

AVAILABLE JACKPOT PANELS

GENERAL BIG LED PANEL
GENERAL SMALL LED PANEL
RAINBOW PANEL

Premium Progressive Controller (PPC)	High Cash
Jackpot	Multi-level progressive jackpot
Gaming Platform	EXCITER III [®] EXCITER IV [®]
SAS Protocol	SAS 6.02



DRAGONS REALM



HIGH CASH

Welcome to Dragon's Realm, a faraway land where four magic dragons, masters of the elements, roam free. The game unfolds with 5 reels, 4 positions, 40 fixed lines, beautiful graphics, and numerous surprises. Whenever the dragon's eye looks at you from a total of three positions on the 1st, 3rd, or 5th reel, you will be granted from 5 to 25 free spins, or even access to the jackpot bonus feature.

Once in it, the screen will fill with balls of magic to pick up from and in your hands, each will turn into a dragon. Match three of a kind and you are destined to rule over one of the four jackpots. If during the main game or granted free spins a reel fills with any of the dragons, a spark of intense magic may trigger the respins.

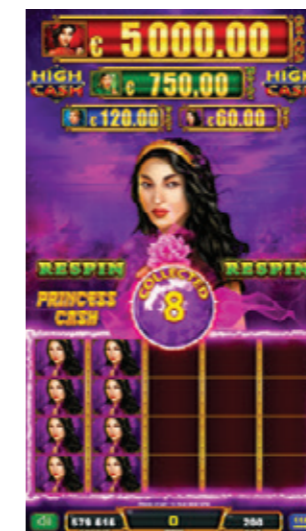
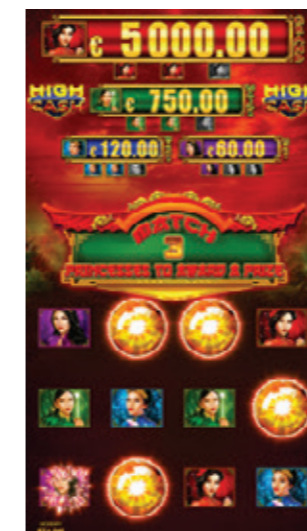
Then you will have the special chance to summon one of them on a full screen. The firebreathing creature will take you on its mighty wings straight to its jackpot and you'll become its new master in the Dragons' Realm.



Meet the princesses of Asia – four gorgeous nobilities, granters of rich winnings, high spirits, and festivity in an exciting single game with a jackpot of 4 levels. The game's 5 reels, 4 positions, and 40 fixed lines open the gates to an exceptional experience that may end with a sky lit up with fireworks. If the golden dragon scatter symbol appears on the 1st, 3rd, and 5th reel, you will be granted 10, 15, or 25 free spins and you may win them again and again if that magic creature keeps visiting you repeatedly.

The princesses themselves have their own whims. When one of them occupies all the positions of a reel, multiple respins may trigger and the more symbols of the royalty you gather, the higher the credit you'll receive.

Fill the whole screen with the image of a princess and you are sure to seize her jackpot riches. There is also a secret passage to the noblewomen's treasure in a special pick-up bonus game that activates randomly but guarantees the favor and treasure of one of the four beauties.



PRINCESS CASH



HIGH CASH

LEPRECHAUN CHANCE TREASURY



HIGH CASH

If you see a leprechaun, you better give chase – that is the only way to catch him and win grand pots of gold at the end of the rainbow! In the new LepreChance Treasury, luck can strike anywhere with the game's 5 reels, 4 positions and 40 fixed lines, and a thrilling jackpot of 4 levels.

If you happen to stumble on enough enchanted coins, you'll know immediately, as this will grant you up to 12 free spins at a time, and a choice how to play them.

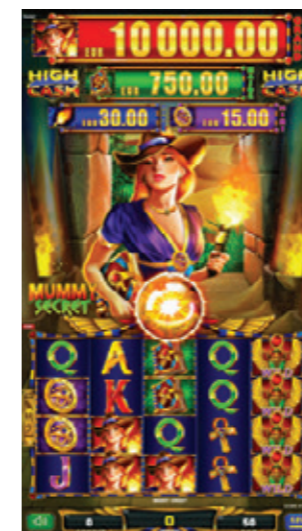
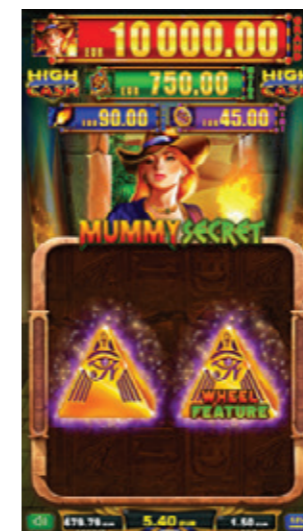
Catching the leprechaun is not that hard and when the fairy troublemaker appears on all the positions of a reel, a number of respins or a High Cash feature may trigger, giving you an extra chance to enter the Treasury.

Once a whole reel is filled with any of the leprechaun's tokens, then you are sure to win a jackpot level. But there is another way to the magic halls of wealth and that is through a special pick-up bonus game that can lead you straight to the jackpot.



Are you ready for an adventure into the mysteries of ancient Egypt? The Mummy keeps its hidden treasures well, but if you dare to enter his temple you might discover innumerable riches. Look out for the 4 lucky symbols for each jackpot level - the Heroine for Grand, the Book for Major, the Torch for Minor and the Brooch for Mini.

If you are brave and lucky enough to deceive the mummy and trigger the bonus, you can choose between Wheel Respin feature or free games.



MUMMY SECRET



HIGH CASH

The 2 Happy Hits series is a standalone mystery jackpot of 2 progressive levels – Major and Grand, that may be hit at random with any bet. The players anticipate them greatly as they have a hint as to when these jackpots are expected to drop. The “Must hit by” field shows the accumulated value before which each jackpot is sure to grant its riches.

At the heart of 2 Happy Hits are its single games that have their own theme, bonuses, rules, and distinct look and feel. Specially created to shine on the vast HD displays of the General tech-forward slot cabinets, their artwork, background music, numerous exciting visual effects, and fast and easy navigation are designed for a peak in satisfaction. Just spin the reels and feel the energy of 2 Happy Hits.

AVAILABLE GAMES



AVAILABLE CABINETS

G 55 C VIP	G 50 J1 UP	G 50 C ST
G 55 J1 VIP	G 50 J2 ST	G 50 C UP
G 50 J1 ST	G 50 J2 UP	G 50 V ST

Premium Progressive Controller (PPC)	2 Happy Hits
Jackpot	Standalone Mystery Jackpot
Gaming Platform	EXCITER III[™] EXCITER IV[™]
SAS Protocol	SAS 6.02

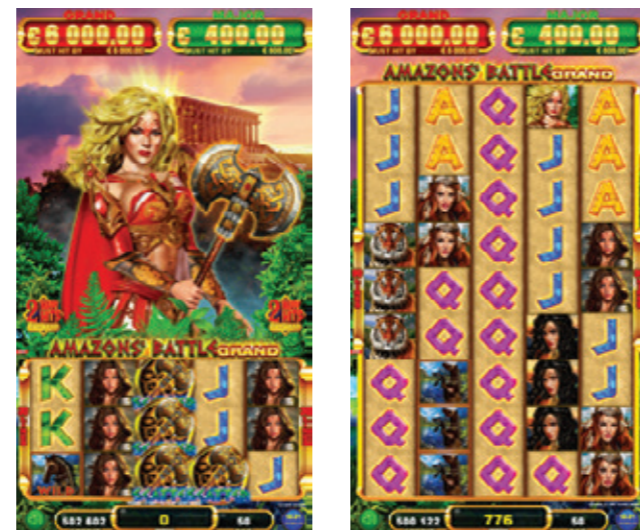


AMAZONS' BATTLE GRAND



All the way from Themiscyra the Amazons ride on their brave wild horses and enter into battle to help you discover great treasures. Incredible wins are expected whenever the reels expand, the lines go up from 30 to 60 or 90 and the screen is dominated by one of these legendary women or their beautiful stallions in gallop.

You are also sure to find hidden treasures when the Double Headed Battle Axe scatter falls on reels 2, 3, and 4. Then you can win from 7 up to... 90 free spins and they are always played on 90 lines. The legendary Amazons, much like fortune itself, favor the brave – there are Grand and Major standalone mystery jackpot levels, which can be won with any bet at any time.



Discover the African savanna, your next gaming destination. Surrounded by lush wildlife, there lie many treasures to claim, you need only follow your lucky charm and friend on your way to the riches – the rhino with its golden horn. This single-game adventure is of minimum 243 Reel Ways Pay but as you wander deeper into the savanna it may reach the astounding 4608 Reel Ways Pay.

One thing is certain – your journey will be an exciting one. The special zone above the screen can turn into a roller coaster of surprises, awarding different win multipliers and free spins and respins. When the bonus “Reels Up” drops during a free game or you gain respins, the landscape will expand and uncover additional positions on the 2nd, 3rd and 4th reels. The Grand and Major stand-alone mystery jackpot levels also await you on your quest to triumph over the savanna.



FIERY HORN



HOK SAN DANCE



Undertake a breathtaking adventure into the islands of East Asia, where treasures are plentiful for those who are willing to seek them. The new Hok San Dance single game is designed to make players feel like explorers on their journey to unearth untold riches with a game matrix that can reach up to 6561 ways of play.

Wild symbols appear frequently during the adventure and besides completing winning combinations for the player, in the right positions they can extend the game with additional 2, 3 or 4 reels upward, add multipliers and invoke even more wilds! The thrill of exploring the seas of Southern Asia is complete with the free games feature, as well as many others to uncover.



Welcome aboard adventurer for a breathtaking journey deep into the oceanic possessions of Neptune. The lovely sirens of the God will help you during your quest in finding the underwater riches. The special symbol Neptune will grant you extra bonuses while the Siren symbol will increase the number of lines by 1. The pearl mussels will trigger a special bonus game with falling pearls that you have to be quick to gather by touching the screen and choosing which pearls to keep.



NEPTUNE'S SIRENS



Diamonds are forever, and with 9 Crystal Bonanza you'll get a chance to enjoy them whenever you want. This multi-level progressive jackpot on our newest gaming platform – Exciter 4, offers a wide variety of playing options. Of course, the centerpiece is the diamond that shines brightly from our General cabinets. If more than 3 of them are scattered on the screen, you will win a substantial reward, and if you're lucky to have more than 5 Diamonds when a max bet has been placed then the jackpot is yours.

If not, you can always enjoy the bonus spins. Just get 3 Free Spin symbols to appear on the screen and get up to 10 free spins with the chance of an X2 or X3 multiplier if you manage to navigate your way to the last spin.

There is also a Wild symbol which will help you by substituting all other symbols except the Free Spin and the Diamond. Look for it on the 2nd reel.

AVAILABLE CABINETS

G 55 C VIP	G 50 J1 UP	G 50 C ST
G 55 J1 VIP	G 50 J2 ST	G 50 C UP
G 50 J1 ST	G 50 J2 UP	G 50 V ST

AVAILABLE JACKPOT PANELS

GENERAL BIG LED PANEL
GENERAL SMALL LED PANEL
RAINBOW PANEL

Premium Progressive Controller (PPC)	9 Crystal Bonanza
Jackpot	Multi-level progressive jackpot
Gaming Platform	EXCITER IV
SAS Protocol	SAS 6.02



Mini, Minor, Major and Grand are the four levels of this mystery progressive jackpot, a thrill ride for the General, Power and Collection multigames with a bonus game that takes you by surprise randomly, leading you to a pick-up field of 12 shiny, golden coins. Reveal their head sides, matching three of the same kind, and your journey will end in prosperity.

Each of the four levels may be hit with any bet, but the higher wager increases your chance of reaching the most glorious of all – the Grand.



Jackpot Feature screen

AVAILABLE MULTIGAMES

All multigames of the series:



AVAILABLE CABINETS

All cabinets of the series:



AVAILABLE JACKPOT PANELS

GENERAL BIG LED PANEL

GENERAL SMALL LED PANEL

RAINBOW PANEL

Premium Progressive Controller (PPC)



Jackpot

Multi-Level
Mystery Jackpot

Gaming Platform



SAS Protocol

SAS 6.02



The Clubs, Diamonds, Hearts and Spades are the main characters of this four-level mystery progressive jackpot and their realm is the bonus game that triggers randomly and presents you with a pick field of 12 unrevealed cards. When they turn their face to you and after you collect three of the same suit, you will become the owner of the accumulated amount of the matching jackpot level.

You may win any level with any bet, and the higher the stakes, the higher the chances to hit the jackpot of the Spades.



Jackpot Feature screen

AVAILABLE MULTIGAMES

All multigames of the series:



AVAILABLE CABINETS

All cabinets of the series:



AVAILABLE JACKPOT PANELS

GENERAL BIG LED PANEL	GENERAL LED PANEL ROUNDED - SMALL Double & Single-sided	GENERAL LED PANEL FLAT - LARGE Double & Single-sided	GENERAL LED PANEL OVAL Big & Small
GENERAL SMALL LED PANEL	GENERAL LED PANEL ROUNDED- LARGE Double & Single-sided	GENERAL LED PANEL FLAT - SMALL Double & Single-sided	RAINBOW PANEL

Premium Progressive Controller (PPC)	Jackpot Cards
Jackpot	Multi-Level Mystery Jackpot
Gaming Platform	EXCITER III EXCITER IV
SAS Protocol	SAS 6.02



Premium Link is a jackpot system where EGT games from General, Power, Collection, Premier and older series like Vega Vision+ and Vega Vision can be linked together in order to participate in common mystery and symbol-driven progressive jackpots.

The Premium Link is based on Premium Progressive Controller (PPC) and Media Control Center (MCC) for visualization, and supports a mystery jackpot with up to 3 levels (Mini, Middle and Super), all of which are common for all games and denominations and fully customizable, including a setting for minimum bet requirement. The mystery jackpot values are accumulated on the grounds of stakes made on all machines participating in the jackpots and can be won randomly by each of them.

Premium Link supports symbol-driven jackpots, each with a maximum of 4 denominations and with its own independent settings. The accumulation is done on the grounds of stakes made during the games.

Gaming machines of other manufacturers also can be linked in order to participate in common mystery jackpots. For this purpose, each gaming machine has a special controller – Jackpot Interface Module (JIM). The collected jackpots are transferred to the gaming machines as Legacy bonuses via SAS Protocol.

Premium Progressive Controller (PPC)	Premium Link
Jackpot	Multi-Level Mystery Jackpot
Gaming Platform	EXCITER III EXCITER IV
SAS Protocol	SAS 6.02

AVAILABLE MULTIGAMES

All multigames of the series:



AVAILABLE CABINETS

All cabinets of the series:



AVAILABLE JACKPOT PANELS

GENERAL BIG LED PANEL	RAINBOW PANEL
GENERAL SMALL LED PANEL	PREMIER PANEL

PREMIUM Link



Each of the Lady's Cards four jackpot levels can be won through the special Lady's Cards bonus game which can be triggered randomly at the end of each of the base games. When the Lady's Cards bonus is triggered, 12 cards appear on the screen, the player chooses which ones to reveal, and when he collects 3 cards with the same suit, he wins the corresponding jackpot level – Clubs, Diamonds, Hearts or Spades. The player may win any of the four jackpot levels without having to play the maximum bet. However, the higher the bet, the greater the chance to trigger the bonus and win the highest level.

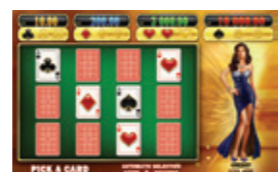
Lady's Cards jackpot is designed for players who enjoy the added value of mystery progressive jackpots on their well-known and favorite games.

The bank of gaming machines with Lady's Cards jackpot can be individually customized through a selection of maximum bet, denominations, and jackpot values in order to satisfy the specific requirements of the players.

In addition, gaming machines of other manufacturers can be connected to the Lady's Cards jackpot system via SAS Protocol through a special controller (Premium Adapter).

AVAILABLE MULTIGAMES

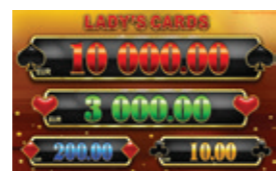
All multigames of the series:



The player picks cards in order to collect 3 of the same suit and to win the corresponding jackpot level.

AVAILABLE CABINETS

All cabinets of the series:



The Lady's Cards themed progressive meters complement the games with the branded jackpot concept.

AVAILABLE JACKPOT PANELS

GENERAL BIG LED PANEL	GENERAL SMALL LED PANEL	RAINBOW PANEL
-----------------------	-------------------------	---------------

Premium Progressive Controller (PPC)	Lady's Cards
Jackpot	Multi-Level Mystery Jackpot
Gaming Platform	EXCITER III EXCITER IV
SAS Protocol	SAS 6.02

LADY'S CARDS



The background is a solid red color. It features several sets of white, parallel lines that curve and flow across the page. One set of lines is in the top-left corner, another set is in the bottom-right corner, and a large set of lines curves from the bottom-left towards the right side of the page. The text 'GENERAL CABINETS' is centered in the white space between the bottom-left and right-side line sets.

**GENERAL
CABINETS**

G 50-50 C VIP

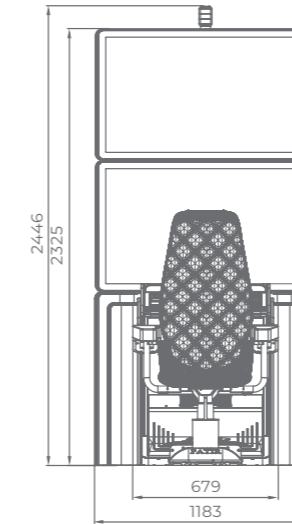
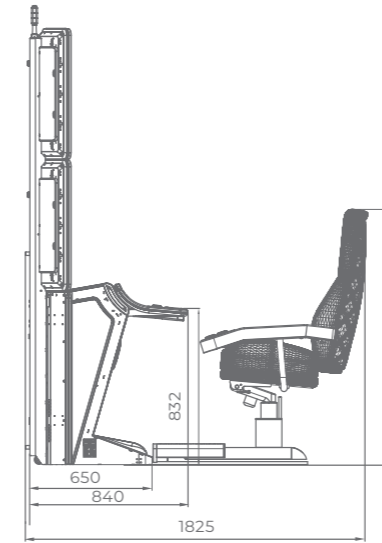
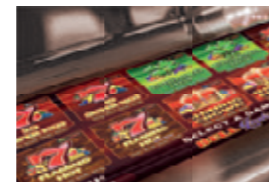


- Two 50" frameless HD displays with exceptional visual clarity
- Exquisite design and ergonomic features, ensuring maximum comfort
- Wide and convenient keyboard with dynamic touch display and electromechanical buttons
- Specially designed key systems for more ease of use by an operator
- High-quality stereo sound system
- Ambient, attractive LED illumination alongside the cabinet
- Built-in USB port for fast charging
- Powered by the **EXCITER III** and **EXCITER IV** platforms

Comfortable multimedia chair that includes:

- High-quality stereo sound speakers
- Sound volume control
- The functions: Start, Auto Play, Select Game, Gamble, Take Win, Select Bet and Lines

Dynamic touch keyboard



G 55 J1 VIP

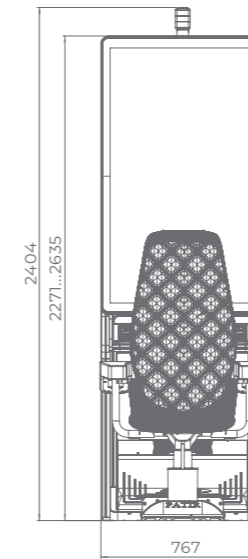
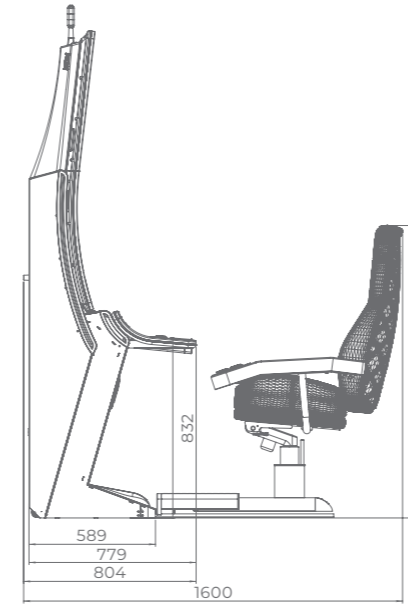


- 55" J-curved frameless HD display with exceptional visual clarity
- Exquisite design and ergonomic features, ensuring maximum comfort
- Wide and convenient keyboard with dynamic touch display and electromechanical buttons
- Specially designed key systems for more ease of use by an operator
- High-quality stereo sound system
- Ambient, attractive LED illumination alongside the cabinet
- Built-in USB port for fast charging
- Powered by the **EXCITER III** and **EXCITER IV** platforms

Comfortable multimedia chair that includes:

- High-quality stereo sound speakers
- Sound volume control
- The functions: Start, Auto Play, Select Game, Gamble, Take Win, Select Bet and Lines

Dynamic touch keyboard



G 55 C VIP

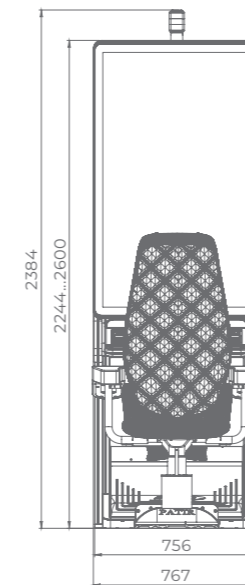
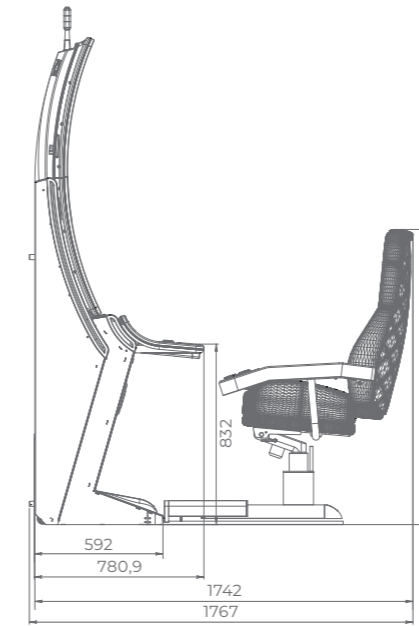


- 55" curved frameless HD display with exceptional visual clarity
- Integrated touchscreen
- Exquisite design and ergonomic features, ensuring maximum comfort
- Wide and convenient keyboard with dynamic touch display and electromechanical buttons
- Specially designed key systems for more ease of use by an operator
- High-quality stereo sound system
- Ambient, attractive LED illumination alongside the cabinet
- Built-in USB port for fast charging
- Powered by the **EXCITER III** and **EXCITER IV** platforms

Comfortable multimedia chair that includes:

- High-quality stereo sound speakers
- Sound volume control
- The functions: Start, Auto Play, Select Game, Gamble, Take Win, Select Bet and Lines

Dynamic touch keyboard



G 32-32 VIP



- Two high-resolution 32" widescreen monitors
- Touch screen equipped on the main display
- Overhead multimedia topper with a 32" monitor (optional)
- Frameless HD display with exceptional visual clarity
- Exquisite design and ergonomic features, ensuring maximum comfort
- Wide and convenient keyboard with dynamic touch display and electromechanical buttons
- Specially designed key systems for more ease of use by an operator
- High-quality stereo sound system
- Ambient, attractive LED illumination alongside the cabinet
- Built-in USB port for fast charging
- Powered by the **EXCITER III** and **EXCITER IV** platforms

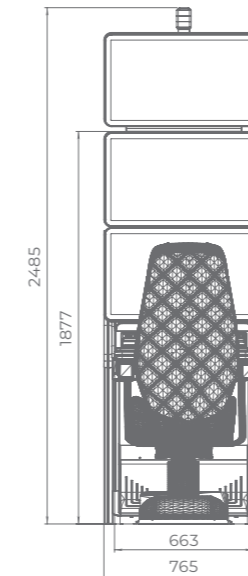
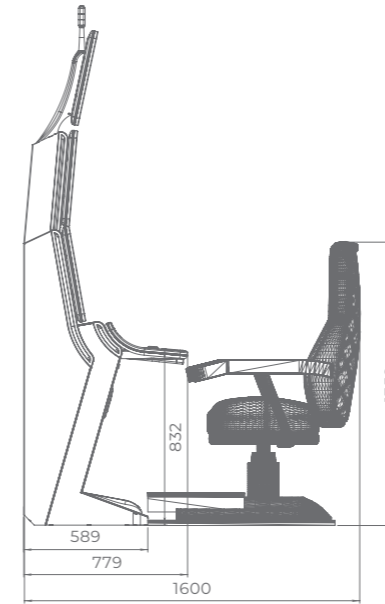
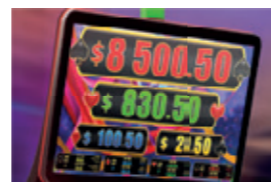
Comfortable multimedia chair that includes:

- High-quality stereo sound speakers
- Sound volume control
- The functions: Start, Auto Play, Select Game, Gamble, Take Win, Select Bet and Lines

Dynamic touch keyboard



Multimedia topper (optional)



G 50 V ST



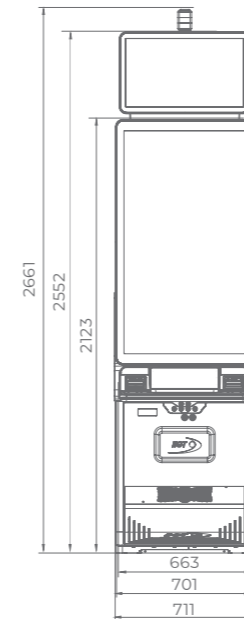
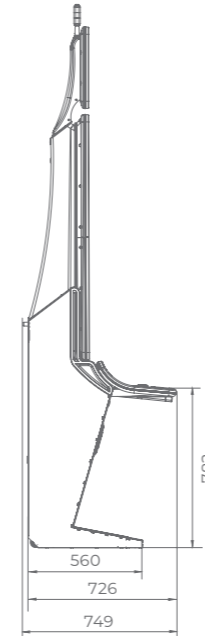
- A 50" portrait-oriented straight display with integrated touch screen for greater interactivity
- Overhead multimedia topper with a 27" monitor (optional)
- Frameless HD display with exceptional visual clarity
- Exquisite design and ergonomic features, ensuring maximum comfort
- Wide and convenient keyboard with dynamic touch display and electromechanical buttons
- Specially designed key systems for more ease of use by an operator
- High-quality stereo sound system
- Ambient, attractive LED illumination alongside the cabinet
- Built-in USB port for fast charging
- Powered by the **EXCITER III**® and **EXCITER IV**® platforms



Dynamic touch keyboard



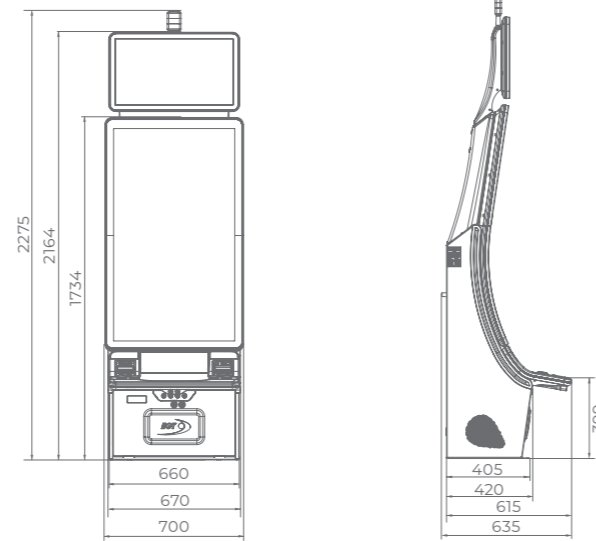
Multimedia topper (optional)



G 50 J1 UP



- A 50" portrait-oriented J-curved display with integrated touch screen for greater interactivity
- Overhead multimedia topper with a 27" monitor (optional)
- Frameless HD display with exceptional visual clarity
- Exquisite design and ergonomic features, ensuring maximum comfort
- Wide and convenient keyboard with dynamic touch display and electromechanical buttons
- Specially designed key systems for more ease of use by an operator
- High-quality stereo sound system
- Ambient, attractive LED illumination alongside the cabinet
- Built-in USB port for fast charging
- Powered by the **EXCITER III**® and **EXCITER IV**® platforms



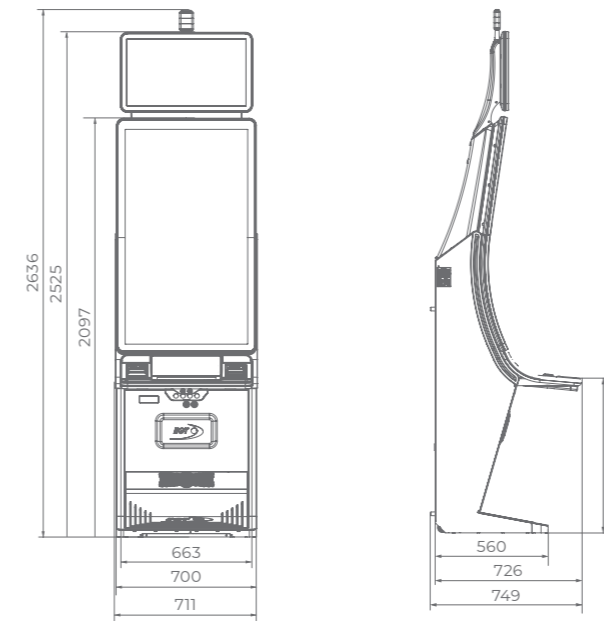
Multimedia topper (optional)



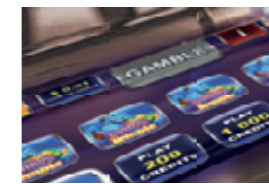
Dynamic touch keyboard

G 50 J1 ST

- A 50" portrait-oriented J-curved display with integrated touch screen for greater interactivity
- Overhead multimedia topper with a 27" monitor (optional)
- Frameless HD display with exceptional visual clarity
- Exquisite design and ergonomic features, ensuring maximum comfort
- Wide and convenient keyboard with dynamic touch display and electromechanical buttons
- Specially designed key systems for more ease of use by an operator
- High-quality stereo sound system
- Ambient, attractive LED illumination alongside the cabinet
- Built-in USB port for fast charging
- Powered by the **EXCITER III**® and **EXCITER IV**® platforms



Multimedia topper (optional)

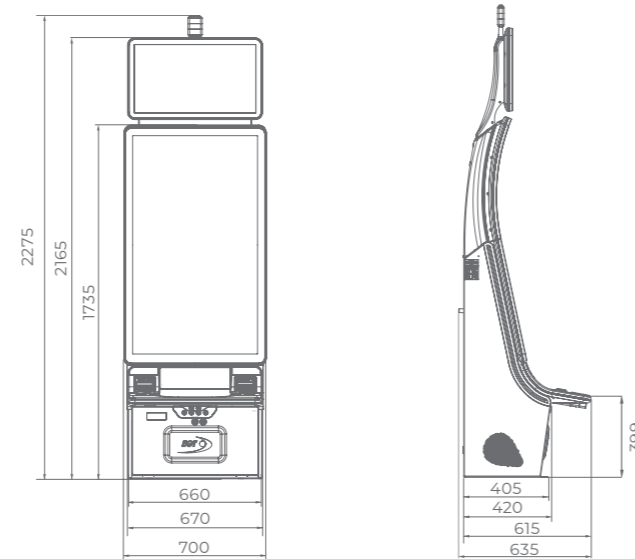


Dynamic touch keyboard



G 50 J2 UP

- A 50" portrait-oriented J-curved display with integrated touch screen for greater interactivity
- Overhead multimedia topper with a 27" monitor (optional)
- Frameless HD display with exceptional visual clarity
- Exquisite design and ergonomic features, ensuring maximum comfort
- Wide and convenient keyboard with dynamic touch display and electromechanical buttons
- Specially designed key systems for more ease of use by an operator
- High-quality stereo sound system
- Ambient, attractive LED illumination alongside the cabinet
- Built-in USB port for fast charging
- Powered by the **EXCITER III**® and **EXCITER IV**® platforms



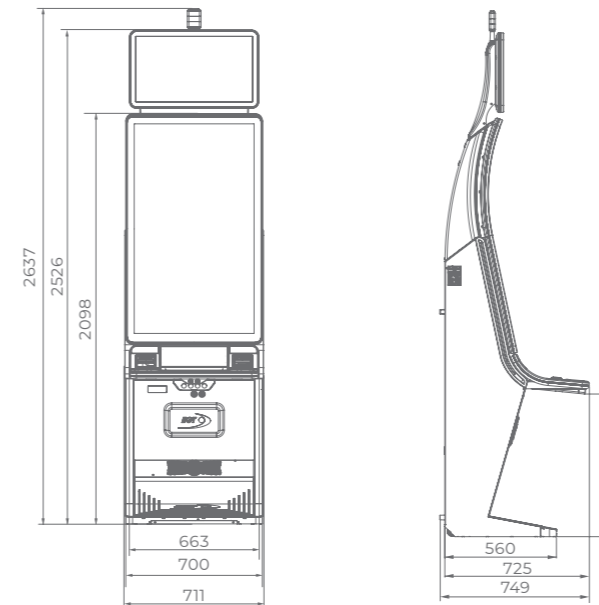
Multimedia topper (optional)



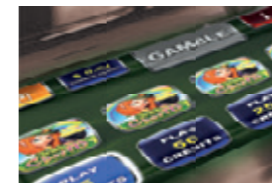
Dynamic touch keyboard

G 50 J2 ST

- A 50" portrait-oriented J-curved display with integrated touch screen for greater interactivity
- Overhead multimedia topper with a 27" monitor (optional)
- Frameless HD display with exceptional visual clarity
- Exquisite design and ergonomic features, ensuring maximum comfort
- Wide and convenient keyboard with dynamic touch display and electromechanical buttons
- Specially designed key systems for more ease of use by an operator
- High-quality stereo sound system
- Ambient, attractive LED illumination alongside the cabinet
- Built-in USB port for fast charging
- Powered by the **EXCITER III**® and **EXCITER IV**® platforms



Multimedia topper (optional)

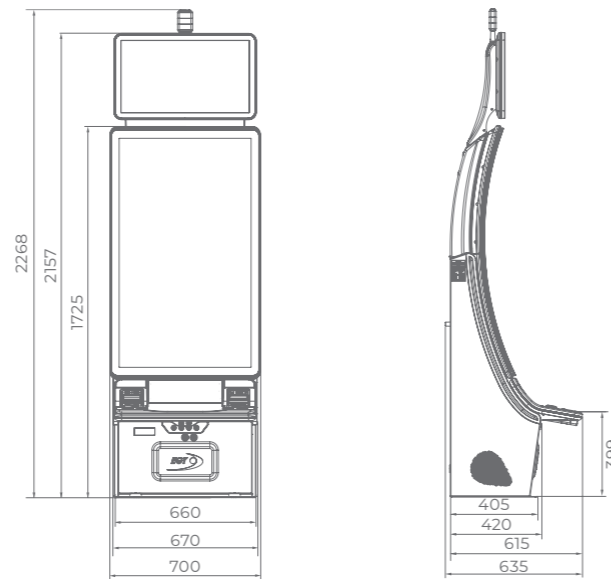


Dynamic touch keyboard

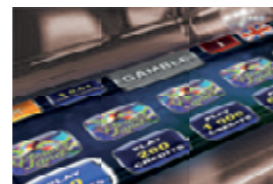


G 50 C UP

- A 50" portrait-oriented curved display with interactive touch screen
- Overhead multimedia topper with a 27" monitor (optional)
- Frameless HD display with exceptional visual clarity
- Exquisite design and ergonomic features, ensuring maximum comfort
- Wide and convenient keyboard with dynamic touch display and electromechanical buttons
- Specially designed key systems for more ease of use by an operator
- High-quality stereo sound system
- Ambient, attractive LED illumination alongside the cabinet
- Built-in USB port for fast charging
- Powered by the **EXCITER III**® and **EXCITER IV**® platforms



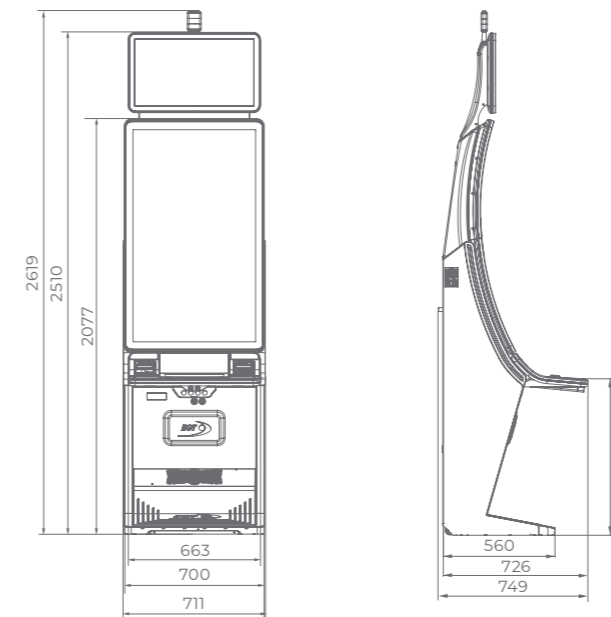
Multimedia topper (optional)



Dynamic touch keyboard

G 50 C ST

- A 50" portrait-oriented curved display with interactive touch screen
- Overhead multimedia topper with a 27" monitor (optional)
- Frameless HD display with exceptional visual clarity
- Exquisite design and ergonomic features, ensuring maximum comfort
- Wide and convenient keyboard with dynamic touch display and electromechanical buttons
- Specially designed key systems for more ease of use by an operator
- High-quality stereo sound system
- Ambient, attractive LED illumination alongside the cabinet
- Built-in USB port for fast charging
- Powered by the **EXCITER III**® and **EXCITER IV**® platforms



Multimedia topper (optional)

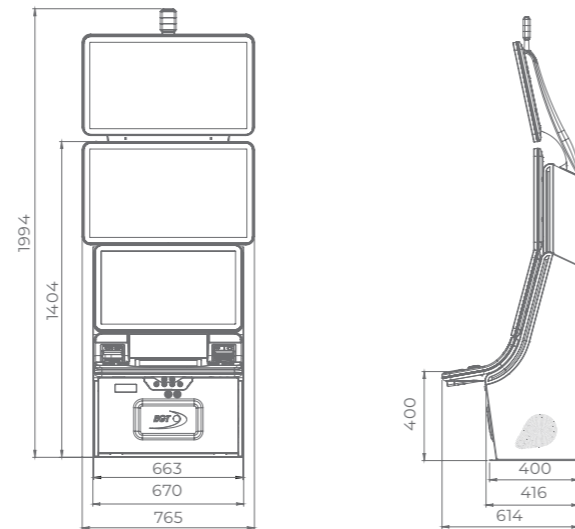


Dynamic touch keyboard



G 27-32 UP

- A high-resolution 27" main monitor with integrated touch screen and a 32" upper widescreen display
- Overhead multimedia topper with a 32" monitor (optional)
- Frameless HD display with exceptional visual clarity
- Exquisite design and ergonomic features, ensuring maximum comfort
- Wide and convenient keyboard with dynamic touch display and electromechanical buttons
- Specially designed key systems for more ease of use by an operator
- High-quality stereo sound system
- Ambient, attractive LED illumination alongside the cabinet
- Built-in USB port for fast charging
- Powered by the **EXCITER III**® and **EXCITER IV**® platforms



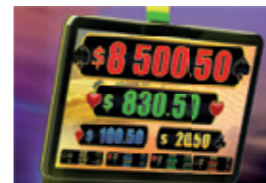
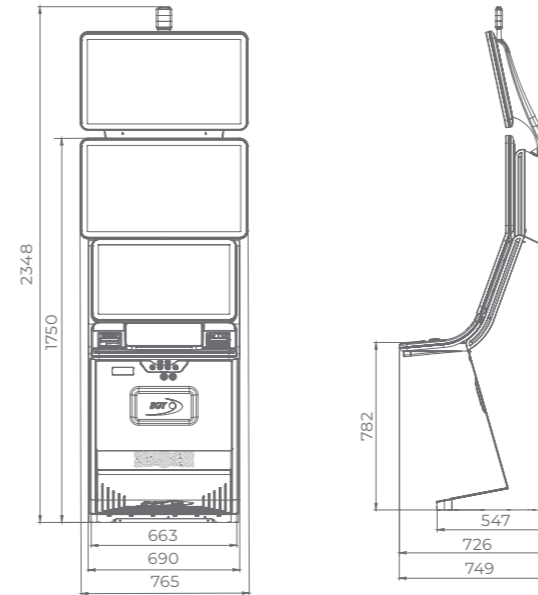
Multimedia topper (optional)



Dynamic touch keyboard

G 27-32 ST

- A high-resolution 27" main monitor with integrated touch screen and a 32" upper widescreen display
- Overhead multimedia topper with a 32" monitor (optional)
- Frameless HD display with exceptional visual clarity
- Exquisite design and ergonomic features, ensuring maximum comfort
- Wide and convenient keyboard with dynamic touch display and electromechanical buttons
- Specially designed key systems for more ease of use by an operator
- High-quality stereo sound system
- Ambient, attractive LED illumination alongside the cabinet
- Built-in USB port for fast charging
- Powered by the **EXCITER III**® and **EXCITER IV**® platforms



Multimedia topper (optional)

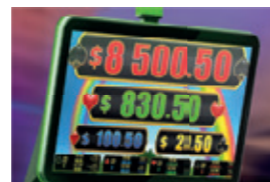
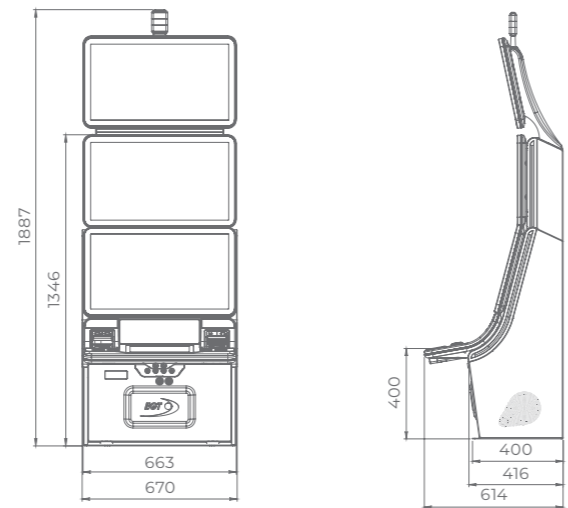


Dynamic touch keyboard



G 27-27 UP

- Two high-resolution 27" widescreen monitors
- Touch screen equipped on the main display
- Overhead multimedia topper with a 27" monitor (optional)
- Frameless HD display with exceptional visual clarity
- Exquisite design and ergonomic features, ensuring maximum comfort
- Wide and convenient keyboard with dynamic touch display and electromechanical buttons
- Specially designed key systems for more ease of use by an operator
- High-quality stereo sound system
- Ambient, attractive LED illumination alongside the cabinet
- Built-in USB port for fast charging
- Powered by the **EXCITER III** and **EXCITER IV** platforms



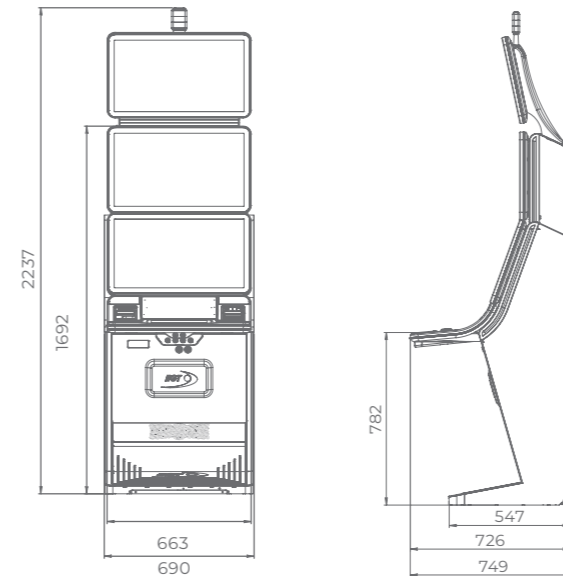
Multimedia topper (optional)



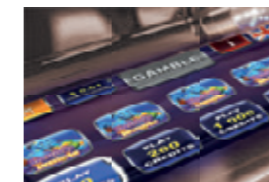
Dynamic touch keyboard

G 27-27 ST

- Two high-resolution 27" widescreen monitors
- Touch screen equipped on the main display
- Overhead multimedia topper with a 27" monitor (optional)
- Frameless HD display with exceptional visual clarity
- Exquisite design and ergonomic features, ensuring maximum comfort
- Wide and convenient keyboard with dynamic touch display and electromechanical buttons
- Specially designed key systems for more ease of use by an operator
- High-quality stereo sound system
- Ambient, attractive LED illumination alongside the cabinet
- Built-in USB port for fast charging
- Powered by the **EXCITER III** and **EXCITER IV** platforms



Multimedia topper (optional)



Dynamic touch keyboard



The background is a solid red color. It features several sets of white, parallel lines that curve and flow across the page. One set of lines is in the top-left corner, another set is in the bottom-right corner, and a third set is in the bottom-center, framing the text. The lines have a rounded, organic feel.

**PREMIER
CABINETS**

SUPER PREMIER 75



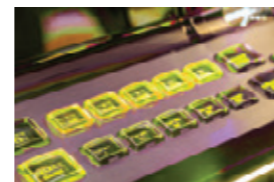
- 75" portrait-oriented curved monitor
- 27" widescreen main monitor with touch screen
- Keyboard with dynamic OLED buttons (optional)
- Enhanced quality stereo sound system
- Ambient, attractive LED illumination alongside the cabinet
- Easily accessible and visible mechanical counters
- Ergonomic features, ensuring maximum comfort
- Convenient access through an electronic key system
- Powered by **EXCITER III** platform

Comfortable multimedia chair that includes:

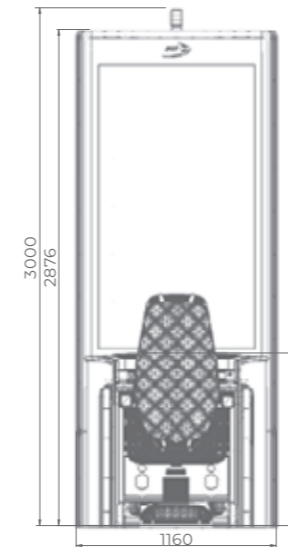
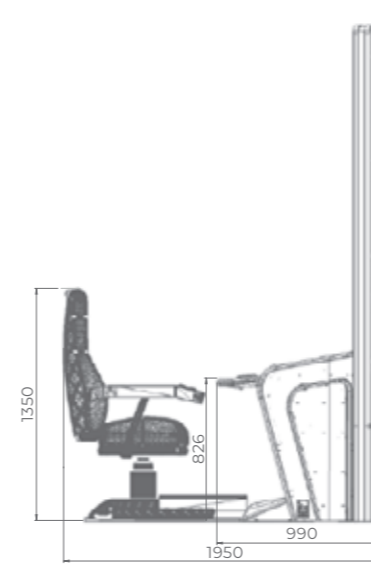
- High-quality stereo sound speakers
- Sound volume control
- The functions: Start, Auto Play, Select Game, Gamble, Select Bet and Lines



Curved Monitor



OLED Button Panel



SUPER PREMIER

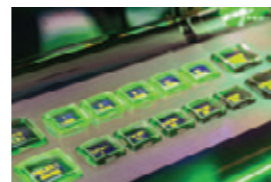
- Two 42" landscape curved monitors
- 27" widescreen main monitor with touch screen
- Keyboard with dynamic OLED buttons (optional)
- Enhanced quality stereo sound system
- Ambient, attractive LED illumination alongside the cabinet
- Easily accessible and visible mechanical counters
- Ergonomic features, ensuring maximum comfort
- Convenient access through an electronic key system
- Powered by **EXCITER III** platform

Comfortable multimedia chair that includes:

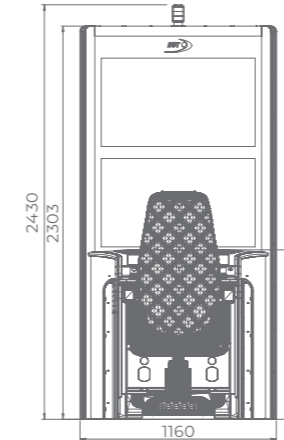
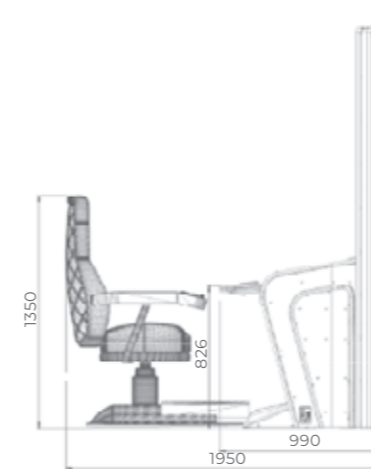
- High-quality stereo sound speakers
- Sound volume control
- The functions: Start, Auto Play, Select Game, Gamble, Select Bet and Lines



Curved Monitor



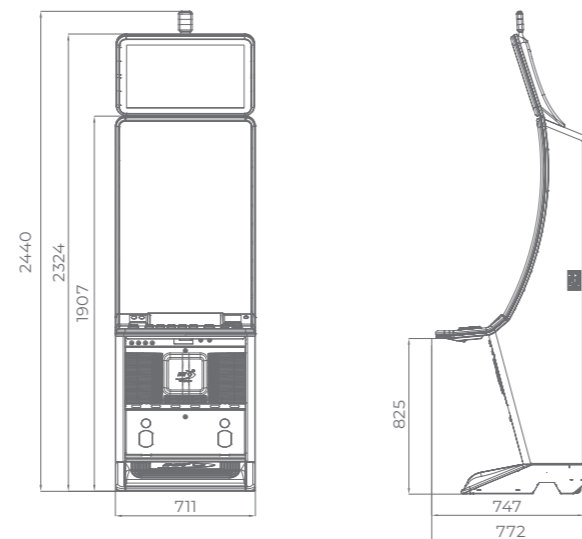
OLED Button Panel



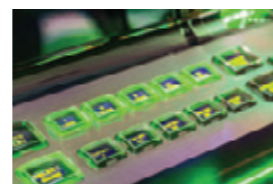
P-42V ST Curved



- 42" portrait-oriented curved monitor with integrated touch screen for greater interactivity
- Overhead multimedia topper with a 27" monitor (optional)
- Keyboard with dynamic OLED buttons (optional)
- Enhanced quality stereo sound system
- Ambient, attractive LED illumination alongside the cabinet
- Easily accessible and visible mechanical counters
- Ergonomic features, ensuring maximum comfort
- Convenient access through an electronic key system
- Powered by **EXCITER III** platform



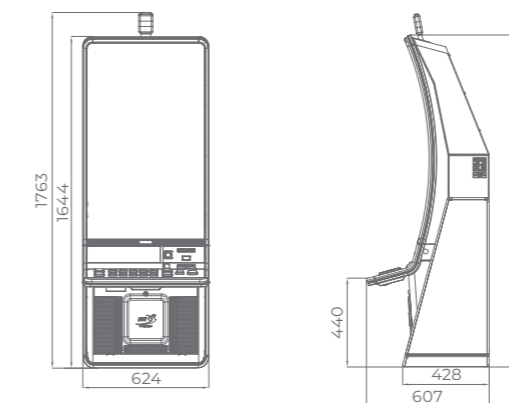
Multimedia topper (optional)



OLED Button Panel

P-42V UP Curved

- 42" portrait-oriented curved monitor with integrated touch screen for greater interactivity
- Keyboard with dynamic OLED buttons (optional)
- Enhanced quality stereo sound system
- Ambient, attractive LED illumination alongside the cabinet
- Easily accessible and visible mechanical counters
- Ergonomic features, ensuring maximum comfort
- Convenient access through an electronic key system
- Powered by **EXCITER III** platform

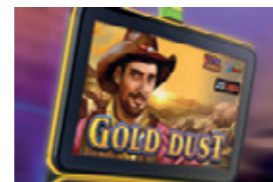
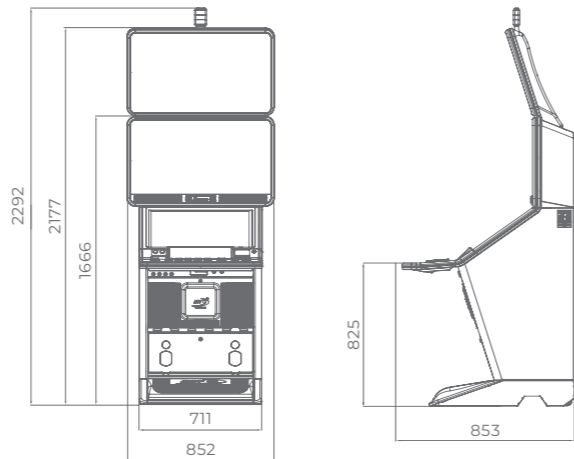


OLED Button Panel

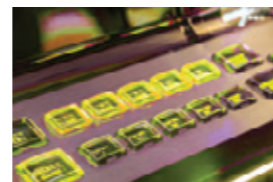


P-27/32H ST

- 27" widescreen main monitor with integrated touch screen for greater interactivity
- Attractive and LED-illuminated top box featuring a 32" landscape monitor
- Overhead multimedia topper with a 32" monitor (optional)
- Keyboard with dynamic OLED buttons (optional)
- Enhanced quality stereo sound system
- Ambient, attractive LED illumination alongside the cabinet
- Easily accessible and visible mechanical counters
- Ergonomic features, ensuring maximum comfort
- Convenient access through an electronic key system
- Powered by the **EXCITER II** and **EXCITER III** platforms



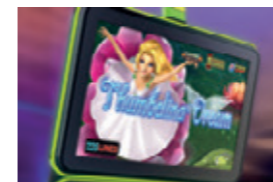
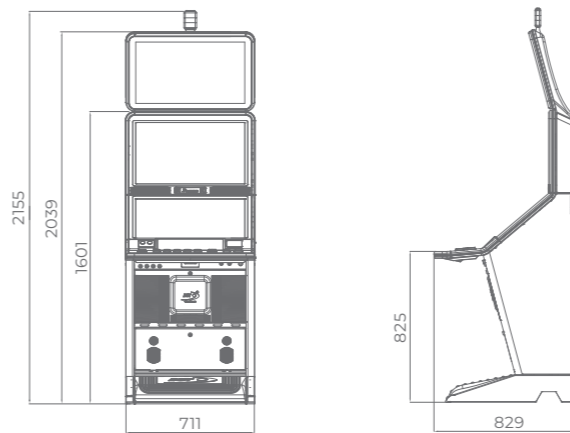
Multimedia topper (optional)



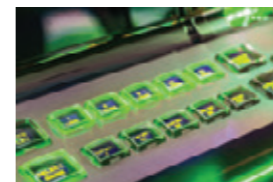
OLED Button Panel

P-27/27 ST

- Two high-resolution 27" widescreen monitors, the main one with integrated touch screen
- Overhead multimedia topper with a 27" monitor (optional)
- Keyboard with dynamic OLED buttons (optional)
- Enhanced quality stereo sound system
- Ambient, attractive LED illumination alongside the cabinet
- Easily accessible and visible mechanical counters
- Ergonomic features, ensuring maximum comfort
- Convenient access through an electronic key system
- Powered by the **EXCITER II** and **EXCITER III** platforms



Multimedia topper (optional)

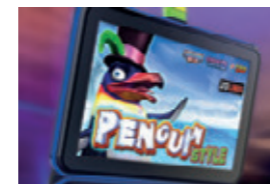
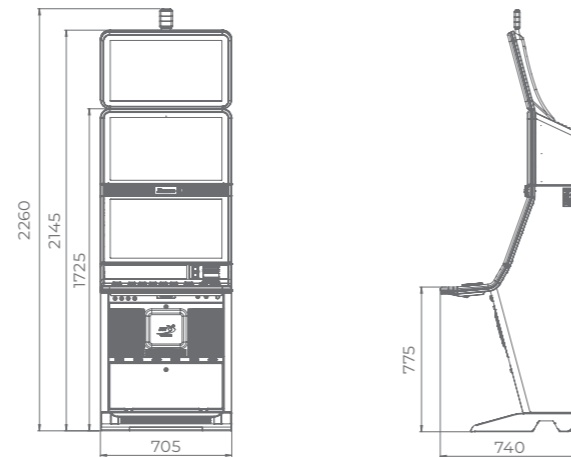


OLED Button Panel



P-27/27 ST Slim

- Two high-resolution 27" widescreen monitors, the main one with an integrated touch screen
- Overhead multimedia topper with a 27" monitor (optional)
- Keyboard with dynamic OLED buttons (optional)
- Enhanced quality stereo sound system
- Ambient, attractive LED illumination alongside the cabinet
- Easily accessible and visible mechanical counters
- Ergonomic features, ensuring maximum comfort
- Convenient access through an electronic key system
- Powered by the **EXCITER II** and **EXCITER III** platforms

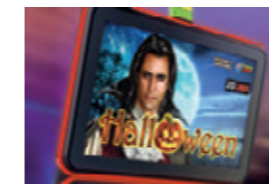
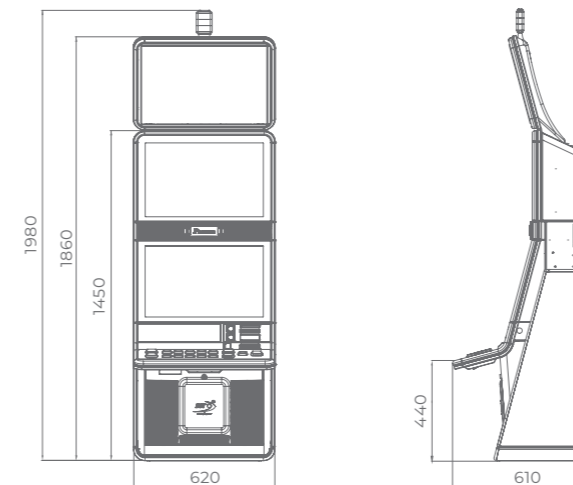


Multimedia topper (optional)



OLED Button Panel

- Two high-resolution 27" widescreen monitors, the main one with an integrated touch screen
- Overhead multimedia topper with a 24" monitor (optional)
- Keyboard with dynamic OLED buttons (optional)
- Coin acceptor and hopper (optional)
- Enhanced quality stereo sound system
- Ambient, attractive LED illumination alongside the cabinet
- Easily accessible and visible mechanical counters
- Ergonomic features, ensuring maximum comfort
- Convenient access through an electronic key system
- Powered by the **EXCITER II** and **EXCITER III** platforms



Multimedia topper (optional)



OLED Button Panel

P-24/24 UP



The background is a solid red color. It features several sets of white, parallel lines that curve and flow across the page. One set of lines is in the top-left corner, another set is in the bottom-right corner, and a third set is in the bottom-center, creating a sense of depth and movement.

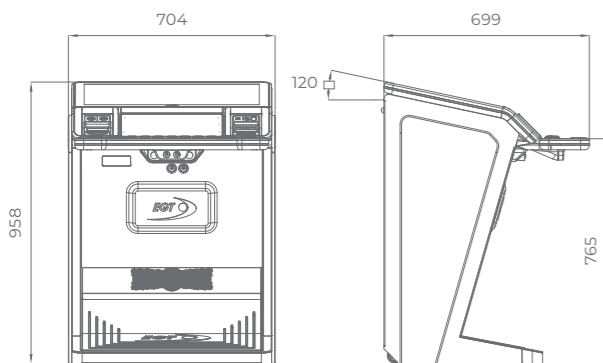
MULTIPLAYER
TERMINALS & ROULETTES

G 27 T

- High-resolution 27" widescreen main display with integrated touch screen for greater interactivity
- Exquisite design with a frameless display that reproduces pictures with exceptional clarity
- Modular construction, allowing many possible configurations
- Easy integration into roulettes, roulette groups, etc.
- Ergonomic features, ensuring maximum comfort for the players
- Different keyboard options are available (6 or 13 electromechanical buttons are the options of the available keyboards);
- Specially designed for more ease of use:
 - Higher security door open key system
 - Well-positioned mechanical counters for easy access and good visibility
 - Most convenient access via electronic key system
- High-quality stereo sound system
- Ambient, attractive LED illumination alongside the cabinet
- Built-in USB port for fast charging

Peripheral devices:

- Bill validator (optional)
- Ticket printer (optional)

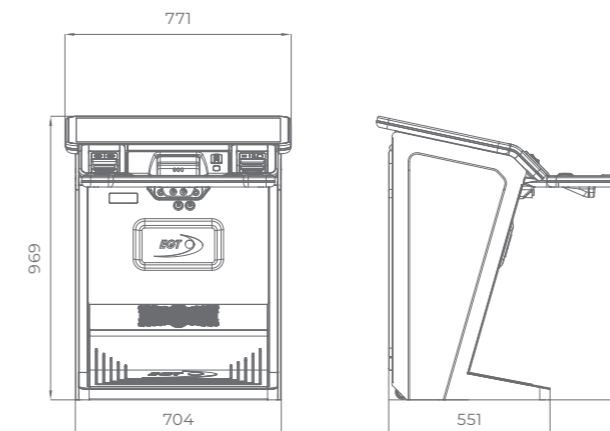


G 32 T

- High-resolution 32" widescreen main display with integrated touch screen for greater interactivity
- Exquisite design with a frameless display that reproduces pictures with exceptional clarity
- Modular construction, allowing many possible configurations
- Easy integration into roulettes, roulette groups, etc.
- Ergonomic features, ensuring maximum comfort for the players
- Different keyboard options are available (6 or 13 electromechanical buttons are the options of the available keyboards)
- Specially designed for more ease of use:
 - Higher security door open key system
 - Well-positioned mechanical counters for easy access and good visibility
 - Most convenient access via electronic key system
- High-quality stereo sound system
- Ambient, attractive LED illumination alongside the cabinet
- Built-in USB port for fast charging

Peripheral devices:

- Bill validator (optional)
- Ticket printer (optional)

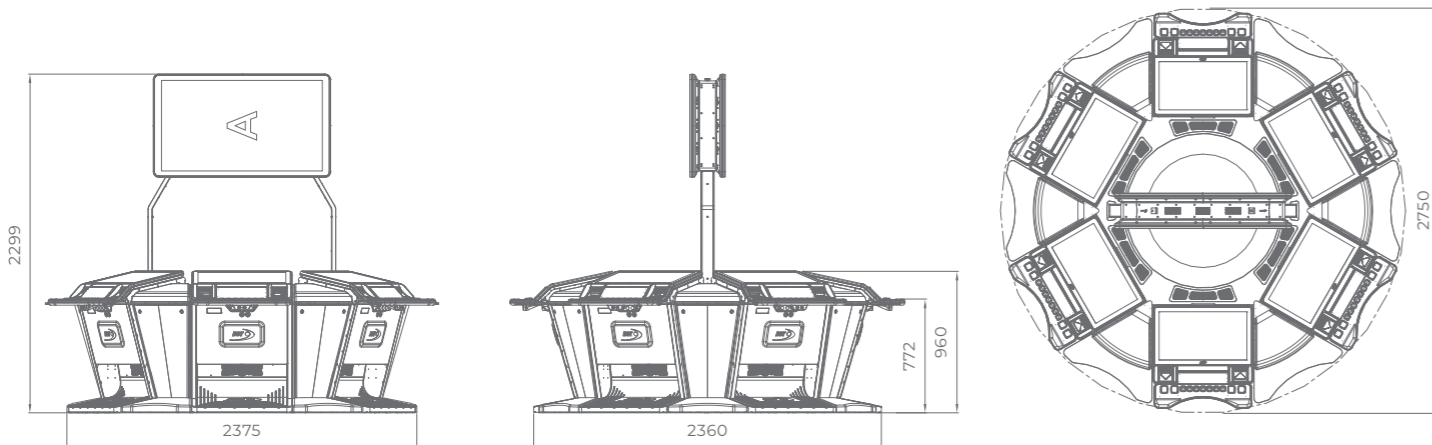


G R6 C

The brand new “G R6 C” series roulettes are the next-generation level of products. The exquisite, modern design with 27” HD monitors present a contemporary solution for the casino around the world.

Supporting all the HD multi games produced by EGT, this product can be easily turned from ± classic roulette game into a hybrid gaming machine with many slots, cards, and dice games.

- 6 x 27” Full HD Touch Screen play stations and 12° monitor angle for the best player experience
- 6 x Middle connections with sleek design
- Integrated EGT Automatic Roulette Center unit
- New dome design for better player visibility
- Different keyboard options are available (6 or 13 electromechanical buttons are the options of the available keyboards)
- American roulette (Optional)
- Dynamic LED illuminations
- Dynamic “in-game” sound effects
- Full HD live-stream camera
- Play stations can be linked to additional EGT Automated Roulette
- 50” Dual Display visualization (Optional)
- Bill validator (Optional) & USB charger;
- Ticket printer device (Optional).



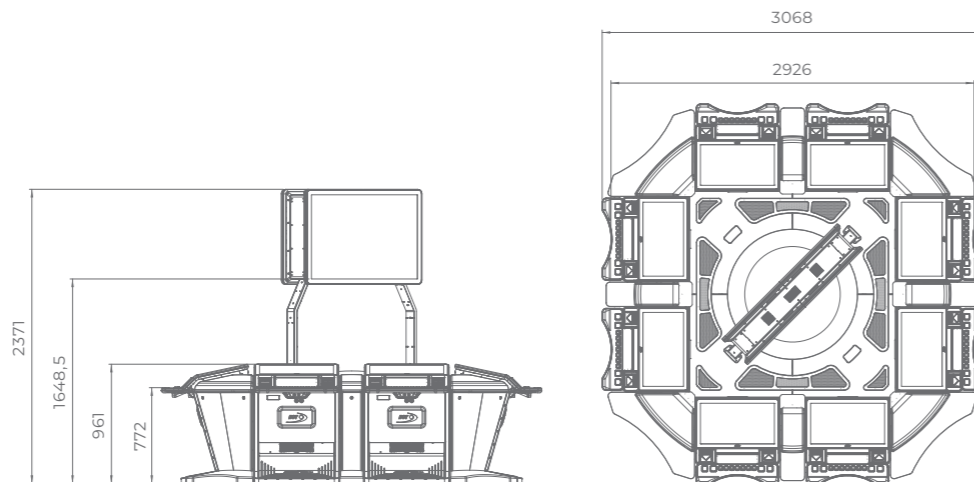
G R8 SQ

The brand new "G R8 SQ" is the latest representative of our next-generation of products. The exquisite, modern design with 27" HD monitors presents a contemporary solution for casinos worldwide.

Supporting all the HD multigame products produced by EGT, this product can be easily turned from a classic roulette game into a hybrid gaming machine with many slots, cards, and dice games.

- 8 x 27" Full HD Touch Screen play stations and 12° monitor angle for the best player experience
- 8 x Middle connections (4 x Straight and 4 x 90 degrees connections) with sleek design
- Integrated EGT Automatic Roulette Center unit
- New dome design for better player's visibility
- Different keyboard options are available (6 or 13 electromechanical buttons are the options of the available keyboards)
- American roulette (Optional)
- Dynamic LED illuminations
- Dynamic "in-game" sound effects
- Full HD live-stream camera
- Play stations can be linked to additional EGT Automated Roulette

- 50" Four-sided Display visualization (Optional)
- 55" Dual Display visualization with an innovative lever locking mechanism for easier servicing (Optional)
- Bill validator (Optional) & USB charger
- Ticket printer device (Optional)



G R6 SQ

Tailor your casino experience with the “G R6 SQ” and its modern design, featuring six 27” HD monitors for players to enjoy. This product supports all HD multigames by EGT and seamlessly transforms from a classic roulette game into a hybrid gaming machine, offering various slots, cards, and dice games.



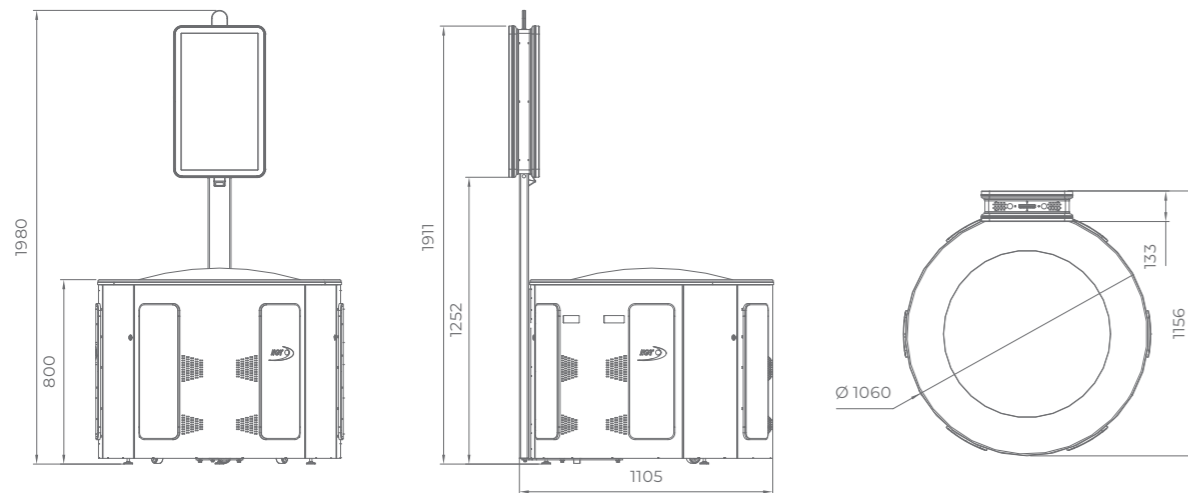
G R4 SQ

Experience the full advantages of our premium roulette in even the most compact venues with “G R4 SQ”. This sleek design, equipped with four 27” HD monitors, effortlessly supports all HD multigame products from EGT. The versatile machine transitions from a classic roulette game to a hybrid gaming console, offering a variety of slots, cards, and dice games.



G RSA

- Can be connected to all EGT play stations
- New dome design for better visibility
- HQ live stream camera
- Custom LED illumination (Red, Green, or Blue color options)
- Improved surround system with “in-game” sound effects
- 16 diamonds for an even more thrilling game experience
- American roulette (Optional)
- Available with 27” Vertical Display Visualization (Dual Sided)
- 50” Dual Display visualization (Optional)
- Detailed roulette statistics through the EGT control system



Standalone Automatic Roulette center that can be easily connected to many game stations.

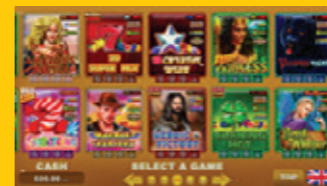
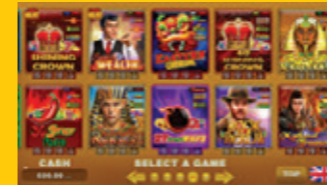
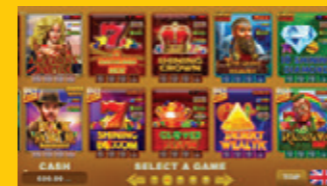
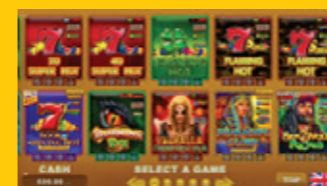


The background is a solid red color. Overlaid on this are several white lines that form a large, stylized letter 'M'. The 'M' is composed of multiple parallel lines, with the top and bottom horizontal bars being thicker than the vertical stems. The lines are slightly offset from each other, creating a sense of depth and movement. The overall effect is a modern, geometric design.

MULTIGAMES



Jackpots	Coin jackpot Jackpot Cards System Premium Link Jackpot System Lady's Card Jackpot System SAS-Progressive
Options & Features	Multi-denomination Autoplay Gamble Multi-language
Platform	
SAS Protocol	SAS 6.02
Cabinets	G 50 C ST G 50 C UP G 50 J1 ST G 50 J1 UP G 50 J2 ST G 50 J2 UP G 27-27 ST G 27-27 UP G 27-32 ST G 27-32 UP G 50 V ST G 55 C VIP G 55 J1 VIP G 32-32 VIP G 50-50 C VIP



GOLD HD GENERAL

- | | |
|----------------------------------|-------------------------------|
| 1 20 Super Hot | 25 Vampire Night |
| 2 40 Super Hot | 26 Sugartime |
| 3 Burning Hot | 27 Karnak Treasure |
| 4 Flaming Hot | 28 Heroic Victory Epic Cash |
| 5 Flaming Hot Extreme | 29 Burning Hot Epic Cash |
| 6 Book of Shining Hot Jumboways | 30 Forest Whisper |
| 7 Burning Eye | 31 Shining Crown Cash Heat |
| 8 Valhalla Thunderstorm | 32 Exquisite Wealth Cash Heat |
| 9 Pharaoh's Glory Jumboways | 33 Eastern Carnival |
| 10 Sea Wolf Riches Fury Cash | 34 40 Shining Crown |
| 11 Amazons' Battle | 35 Rise of Ra |
| 12 5 Dazzling Hot | 36 30 Spicy Fruits |
| 13 Shining Crown | 37 Almighty Ramses II |
| 14 The Great Exploit Shiny Cash | 38 27 Fruit Ways |
| 15 10 Shining Diamond Shiny Cash | 39 Book of Realm |
| 16 Book of Realm Jumboways | 40 Mythical Treasure |
| 17 Shining Boom | 41 Ultimate Hot |
| 18 Clover Respin | 42 40 Burning Hot |
| 19 Desert Wealth | 43 100 Super Hot |
| 20 Rainbow Hot | 44 Thumbelina's Dream |
| 21 Amazons' Battle 6 reels | 45 Frog Story |
| 22 20 Super Hot Dazzle Cash | 46 Blue Heart |
| 23 10 Crystal Wish | 47 Rainbow Queen |
| 24 Fury Princess | 48 Rainbow Luck |
| | 49 Brave Cat |
| | 50 Ice Valley |



BLUE HD GENERAL

Jackpots	Coin jackpot Jackpot Cards System Premium Link Jackpot System Lady's Card Jackpot System SAS-Progressive
Options & Features	Multi-denomination Autoplay Gamble Multi-language
Platform	EXCITER IV
SAS Protocol	SAS 6.02
Cabinets	G 50 C ST G 50 C UP G 50 J1 ST G 50 J1 UP G 50 J2 ST G 50 J2 UP G 27-27 ST G 27-27 UP G 27-32 ST G 27-32 UP G 50 V ST G 55 C VIP G 55 J1 VIP G 32-32 VIP G 50-50 C VIP



BLUE HD GENERAL

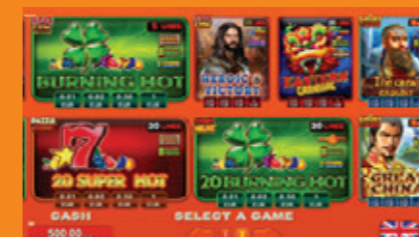
- | | |
|-----------------------------|---------------------------|
| 1 20 Super Hot | 30 Luxury Hot |
| 2 40 Super Hot | 31 40 Burning Hot 6 reels |
| 3 Burning Hot | 32 Supreme Hot |
| 4 Flaming Hot | 33 100 Lucky Hat |
| 5 Flaming Hot Extreme | 34 40 Shining Crown |
| 6 20 Super Hot Dazzle Cash | 35 Rise of Ra |
| 7 Book of Magic Dazzle Cash | 36 30 Spicy Fruits |
| 8 Burning Hot Extreme | 37 Emperor's Palace |
| 9 Sugartime | 38 Cats Royal |
| 10 10 Shining Diamond | 39 Olympus Glory |
| 11 Amazons' Battle | 40 Genie's Temple |
| 12 5 Dazzling Hot | 41 Dice & Roll |
| 13 Shining Crown | 42 40 Burning Hot |
| 14 Vampire Night | 43 Zodiac Wheel |
| 15 Book of Realm | 44 Secrets of Alchemy |
| 16 Gold Keeper | 45 Chinese Garden |
| 17 Karnak Treasure | 46 Egypt Sky |
| 18 Shining Crown Cash Heat | 47 Tirol Fest |
| 19 20 Burning Hot Cash Heat | 48 Fruits Kingdom |
| 20 Totems of Riches | 49 Penguin Style |
| 21 Amazons' Battle 6 reels | 50 Circus Brilliant |
| 22 27 Fruit Ways | |
| 23 100 Super Hot 6 reels | |
| 24 Spinning Crown | |
| 25 Versailles Gold | |
| 26 Mighty Sparta Epic Cash | |
| 27 Mystic Desert | |
| 28 Stars Respin | |
| 29 The Wild Griffin | |




Jackpots	Coin jackpot Jackpot Cards System Premium Link Jackpot System Lady's Card Jackpot System SAS-Progressive
Options & Features	Multi-denomination Autoplay Gamble Multi-language
Platform	EXCITER IV
SAS Protocol	SAS 6.02
Cabinets	G 50 C ST G 50 C UP G 50 J1 ST G 50 J1 UP G 50 J2 ST G 50 J2 UP G 27-27 ST G 27-27 UP G 27-32 ST G 27-32 UP G 50 V ST G 55 C VIP G 55 J1 VIP G 32-32 VIP G 50-50 C VIP

BONUS PRIZE HD GENERAL

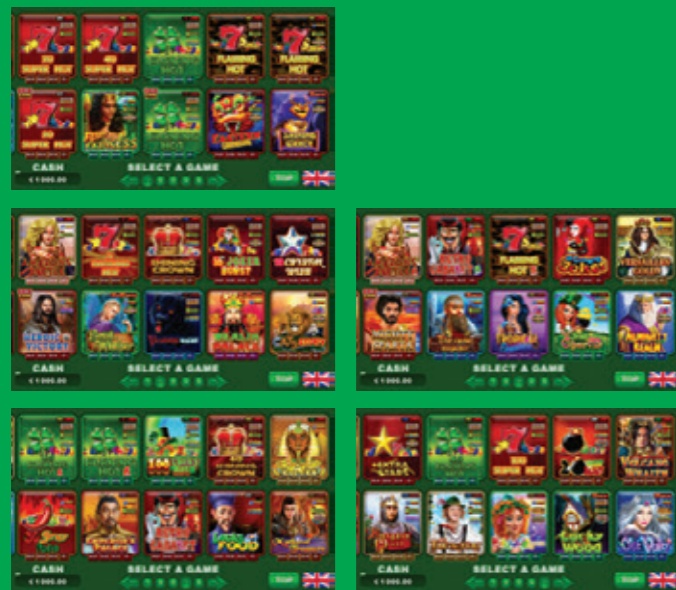
- 1 20 Super Hot Epic Cash
- 2 Mighty Sparta Epic Cash
- 3 Exquiste Wealth Cash Heat
- 4 Book of Magic Dazzle Cash
- 5 10 Shining Diamond Shiny Cash
- 6 Shining Crown Cash Heat
- 7 Totems of Riches Fury Cash
- 8 Burning Hot Epic Cash
- 9 Heroic Victory Epic Cash
- 10 Eastern Carnival
- 11 The Great Exploit Shiny Cash
- 12 20 Super Hot Dazzle Cash
- 13 20 Burning Hot Cash heat
- 14 Great China Shiny Cash




Jackpots	Coin jackpot Jackpot Cards System Premium Link Jackpot System Lady's Card Jackpot System SAS-Progressive
Options & Features	Multi-denomination Autoplay Gamble Multi-language
Platform	
SAS Protocol	SAS 6.02
Cabinets	G 50 C ST G 50 C UP G 50 J1 ST G 50 J1 UP G 50 J2 ST G 50 J2 UP G 27-27 ST G 27-27 UP G 27-32 ST G 27-32 UP G 50 V ST G 55 C VIP G 55 J1 VIP G 32-32 VIP G 50-50 C VIP

GREEN HD GENERAL

- | | |
|---------------------------------|---------------------------|
| 1 20 Super Hot | 30 Almighty Realm |
| 2 40 Super Hot | 31 40 Burning Hot 6 Reels |
| 3 Burning Hot | 32 Burning Hot 6 Reels |
| 4 Flaming Hot | 33 100 Lucky Hat |
| 5 Flaming Hot Extreme | 34 40 Shining Crown |
| 6 20 Super Hot Epic Cash | 35 Rise of Ra |
| 7 Fury Princess | 36 30 Spicy Fruits |
| 8 Burning Hot Epic Cash | 37 Emperor's Palace |
| 9 Eastern Carnival | 38 Retro Cabaret |
| 10 Shining Grace | 39 Lucky Food |
| 11 Amazons' Battle | 40 Mythical Treasure |
| 12 5 Dazzling Hot | 41 Extra Stars |
| 13 Shining Crown | 42 40 Burning Hot |
| 14 10 Joker Burst | 43 100 Super Hot |
| 15 10 Crystal Wish | 44 20 Hot Blast |
| 16 Heroic Victory Epic Cash | 45 Volcano Wealth |
| 17 Forest Whisper | 46 Knights Heart |
| 18 Vampire Night | 47 Tirol Fest |
| 19 Wealth Palace | 48 Rainbow Luck |
| 20 Cats' Story | 49 Lucky Wood |
| 21 Amazons' Battle 6 Reels | 50 Ice Valley |
| 22 Retro Cabaret 6 Reels | |
| 23 Flaming Hot 6 Reels | |
| 24 40 Charming Joker | |
| 25 Versailles Gold | |
| 26 Mighty Sparta Epic Cash | |
| 27 The Great Exploit Shiny Cash | |
| 28 Tropical Beauties | |
| 29 Irish Charm | |



Jackpots	Coin jackpot Jackpot Cards System Premium Link Jackpot System Lady's Card Jackpot System SAS-Progressive
Options & Features	Multi-denomination Autoplay Gamble Multi-language
Platform	
SAS Protocol	SAS 6.02
Cabinets	G 50 C ST G 50 C UP G 50 J1 ST G 50 J1 UP G 50 J2 ST G 50 J2 UP G 27-27 ST G 27-27 UP G 27-32 ST G 27-32 UP G 50 V ST G 55 C VIP G 55 J1 VIP G 32-32 VIP

FRUITS HD GENERAL

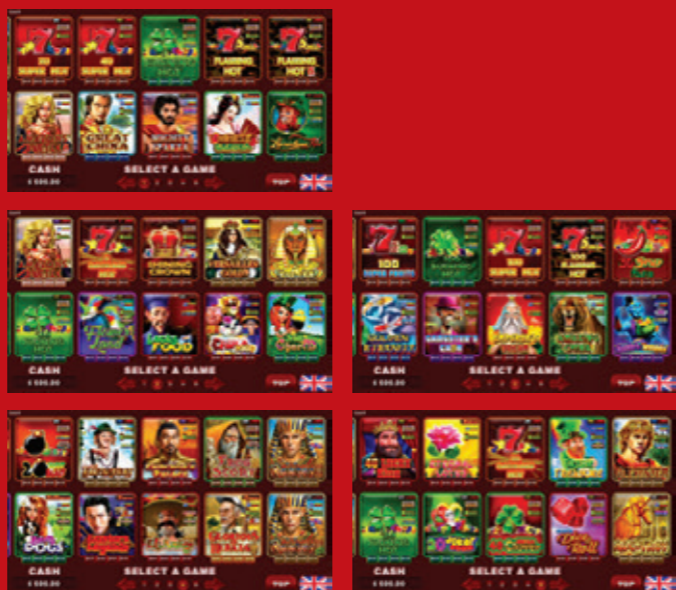
- | | |
|---------------------------|----------------------|
| 1 20 Super Hot | 30 50 Hot Blast |
| 2 40 Super Hot | 31 Fruits Kingdom |
| 3 Burning Hot | 32 Dice & Roll |
| 4 Flaming Hot | 33 Lucky & Wild |
| 5 Flaming Hot Extreme | 34 Hot & Cash |
| 6 Leprechaun Hot | 35 10 Burning Heart |
| 7 5 Dazzling Hot | 36 40 Ultra Respin |
| 8 40 Burning Hot | 37 more Dice & Roll |
| 9 Shining Crown | 38 more Lucky & Wild |
| 10 40 Shining Crown | 39 40 Hot & Cash |
| 11 100 Lucky Hat | 40 Caramel Hot |
| 12 100 Super Hot | 41 27 Wins |
| 13 100 Flaming Hot | 42 81 Wins |
| 14 100 Burning Hot | 43 Great 27 |
| 15 100 Super Fruits | 44 Supreme Hot |
| 16 Burning Hot 6 reels | 45 Lucky Hot |
| 17 40 Burning Hot 6 reels | 46 Extremely Hot |
| 18 Flaming Hot 6 reels | 47 Ultimate Hot |
| 19 30 Spicy Fruits | 48 5 Juggle Fruits |
| 20 20 Hot Blast | 49 40 Extra Stars |
| 21 20 Burning Hot | 50 50 Mega Clover |
| 22 20 Joker Reels | |
| 23 20 Dazzling Hot | |
| 24 20 Charming Joker | |
| 25 Extra Stars | |
| 26 40 Lucky King | |
| 27 40 Joker Reels | |
| 28 40 Mega Clover | |
| 29 50 Spicy Fruits | |



RED HD GENERAL

- 1 20 Super Hot
- 2 40 Super Hot
- 3 Burning Hot
- 4 Flaming Hot
- 5 Flaming Hot 6 reels
- 6 Amazons' Battle 6 reels
- 7 Great China Shiny Cash
- 8 Mighty Sparta Epic Cash
- 9 Chinese Garden
- 10 Leprechaun Hot
- 11 Amazons' Battle
- 12 5 Dazzling Hot
- 13 Shining Crown
- 14 Versailles Gold
- 15 Rise of Ra
- 16 40 Burning Hot
- 17 Flower Land
- 18 Lucky Food
- 19 China Food
- 20 Irish Charm
- 21 100 Super Fruits
- 22 100 Burning Hot
- 23 100 Super Hot
- 24 100 Flaming Hot
- 25 30 Spicy Fruits
- 26 Golden Eternity
- 27 Gangster's Cash
- 28 Emperor's Dream
- 29 Amazing China
- 30 Genie's Temple
- 31 20 Hot Blast
- 32 Tirol Fest
- 33 Emperor's Palace
- 34 Frog Story
- 35 Almighty Ramses II
- 36 Sweetie Dogs
- 37 Eastern Legends
- 38 El Amigo
- 39 Glorious Hidalgo
- 40 Almighty Ramses II both ways
- 41 40 Lucky King
- 42 Eternal Lotus
- 43 20 Dazzling Hot
- 44 Irish Treasure
- 45 The Story of Alexander
- 46 20 Burning Hot
- 47 20 Joker Reels
- 48 40 Mega Clover
- 49 more Dice & Roll
- 50 Age of Troy

Jackpots	Coin jackpot Jackpot Cards System Premium Link Jackpot System Lady's Card Jackpot System SAS-Progressive
Options & Features	Multi-denomination Autoplay Gamble Multi-language
Platform	EXCITER III [®] EXCITER IV [®]
SAS Protocol	SAS 6.02
Cabinets	G 50 C ST G 50 C UP G 50 J1 ST G 50 J1 UP G 50 J2 ST G 50 J2 UP G 27-27 ST G 27-27 UP G 27-32 ST G 27-32 UP G 50 V ST G 55 C VIP G 55 J1 VIP G 32-32 VIP



SERIES GENERAL

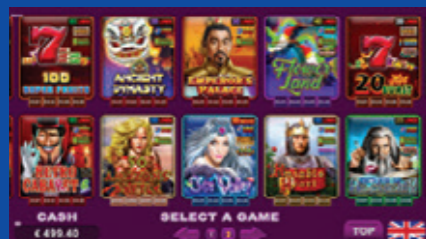
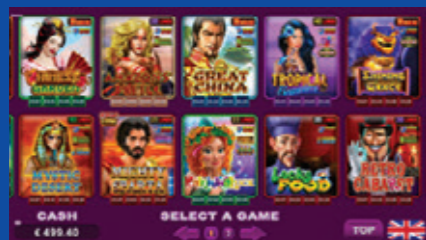


GOLD HD GENERAL BLUE HD GENERAL BONUS PRIZE HD GENERAL
 GREEN HD GENERAL FRUITS HD GENERAL RED HD GENERAL

Jackpots	Coin jackpot Jackpot Cards System Premium Link Jackpot System Lady's Card Jackpot System SAS-Progressive
Options & Features	Multi-denomination Autoplay Gamble Multi-language
Platform	EXCITER III EXCITER IV
SAS Protocol	SAS 6.02
Cabinets	G 50 C ST G 50 C UP G 50 J1 ST G 50 J1 UP G 50 J2 ST G 50 J2 UP G 27-27 ST G 27-27 UP G 27-32 ST G 27-32 UP G 50 V ST G 55 C VIP G 55 J1 VIP G 32-32 VIP G 50-50 C VIP

WINNER SELECTION 1

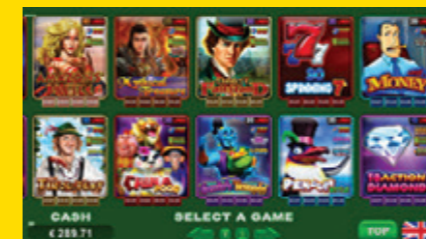
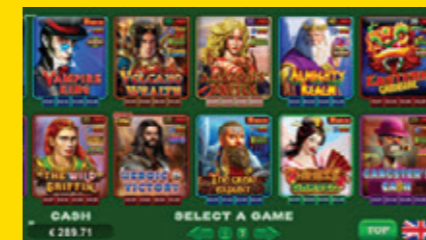
- Chinese Garden
- Amazons' Battle
- Great China Shiny Cash
- Tropical Beauties
- Shining Grace
- Mystic Desert
- Mighty Sparta Epic Cash
- Rainbow Luck
- Lucky Food
- Retro Cabaret
- 100 Super Fruits
- Ancient Dynasty
- Emperor's Palace
- Flower Land
- 20 Hot Burst
- Retro Cabaret 6 reels
- 50 Amazons' Battle
- Ice Valley
- Knights Heart
- Secrets of Alchemy




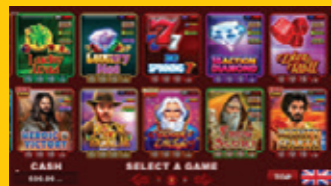
Jackpots	Coin jackpot Jackpot Cards System Premium Link Jackpot System Lady's Card Jackpot System SAS-Progressive
Options & Features	Multi-denomination Autoplay Gamble Multi-language
Platform	EXCITER III EXCITER IV
SAS Protocol	SAS 6.02
Cabinets	G 50 C ST G 50 C UP G 50 J1 ST G 50 J1 UP G 50 J2 ST G 50 J2 UP G 27-27 ST G 27-27 UP G 27-32 ST G 27-32 UP G 50 V ST G 55 C VIP G 55 J1 VIP G 32-32 VIP G 50-50 C VIP

WINNER SELECTION 2

- Vampire King
- Volcano Wealth
- Amazons' Battle
- Almighty Realm
- Eastern Carnival
- The Wild Griffin
- Heroic Victory Epic Cash
- The Great Exploit Shiny Cash
- Chinese Garden
- Gangster's Cash
- Amazons' Battle 6 reels
- Mythical Treasure
- Dorothy's Fairyland
- 30 Spinning 7's
- Action Money
- Tirol Fest
- China Food
- Genie's Temple
- Penguin Style
- 10 Action Diamond




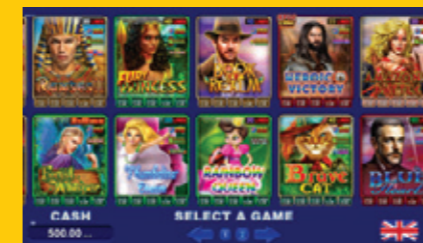
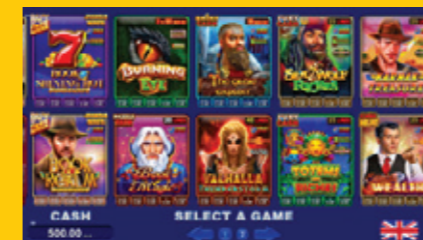
Jackpots	Coin jackpot Jackpot Cards System Premium Link Jackpot System Lady's Card Jackpot System SAS-Progressive
Options & Features	Multi-denomination Autoplay Gamble Multi-language
Platform	
SAS Protocol	SAS 6.02
Cabinets	G 50 C ST G 50 C UP G 50 J1 ST G 50 J1 UP G 50 J2 ST G 50 J2 UP G 27-27 ST G 27-27 UP G 27-32 ST G 27-32 UP G 50 V ST G 55 C VIP G 55 J1 VIP G 32-32 VIP G 50-50 C VIP



WINNER SELECTION 3 new

- | | |
|---------------------------------|------------------------------|
| 1 20 Hot Burst | 16 Heroic Victory Epic Cash |
| 2 Shining Crown | 17 Book Of Realm |
| 3 Burning Hot | 18 Book Of Magic Dazzle Cash |
| 4 Spinning Crown | 19 Frog Story |
| 5 100 Super Fruits | 20 Mighty Sparta Epic Cash |
| 6 Totems Of Riches Fury Cash | 21 The Wild Griffin |
| 7 Karnak Treasure | 22 Amazons` Battle 6 Reels |
| 8 Exquisite Wealth Cash Heat | 23 Blue Heart |
| 9 Tirol Fest | 24 Mystic Desert |
| 10 The Great Exploit Shiny Cash | 25 Egypt Sky |
| 11 Lucky & Wild | 26 Gold Keeper |
| 12 Luxury Hot | 27 Chinese Garden |
| 13 30 Spinning 7`s | 28 Great China Shiny Cash |
| 14 10 Action Diamond | 29 Emperor`s Palace |
| 15 Dice & Roll | 30 Eastern Carnival |

Jackpots	Coin jackpot Jackpot Cards System Premium Link Jackpot System Lady's Card Jackpot System SAS-Progressive
Options & Features	Multi-denomination Autoplay Gamble Multi-language
Platform	
SAS Protocol	SAS 6.02
Cabinets	G 50 C ST G 50 C UP G 50 J1 ST G 50 J1 UP G 50 J2 ST G 50 J2 UP G 27-27 ST G 27-27 UP G 27-32 ST G 27-32 UP G 50 V ST G 55 C VIP G 55 J1 VIP G 32-32 VIP G 50-50 C VIP




WINNER SELECTION 4 new

- Book of Shining Hot Jumboways
- Burning Eye
- The Great Exploit
- Sea Wolf Riches Fury Cash
- Karnak Treasure
- Book of Realm Jumboways
- Book of Magic Dazzle Cash
- Valhalla Thunderstorm
- Totem of Riches
- Exquisite Wealth Cash Heat
- Almighty Ramses II
- Fury Princess
- Book of Realm
- Heroic Victory Epic Cash
- Amazons' Battle
- Forest Whisper
- Thumbelina's Dream
- Rainbow Queen
- Brave Cat
- Blue Heart



BLUE HD POWER


Jackpots	Coin jackpot Jackpot Cards System Premium Link Jackpot System Lady's Card Jackpot System SAS-Progressive
Options & Features	Multi-denomination Autoplay Gamble Multi-language
Platform	
SAS Protocol	SAS 6.02
Cabinets	G 50 C ST G 50 C UP G 50 J1 ST G 50 J1 UP G 50 J2 ST G 50 J2 UP G 27-27 ST G 27-27 UP G 27-32 ST G 27-32 UP G 50 V ST G 55 C VIP G 55 J1 VIP G 50-50 C VIP G 32-32 VIP G 27 T G 32 T GS 32 T GS 32-32 GS 32-32-32



BLUE HD POWER


- | | |
|--|--|
| 1 Star Blackjack | 26 20 Burning Hot Cash Heat |
| 2 Baccarat | 27 Totems of Riches |
| 3 Extra Star Blackjack | 28 Amazons' Battle 6 reels |
| 4 Keno Universe | 29 27 Fruit Ways |
| 5 20 Super Hot | 30 100 Super Hot 6 reels |
| 6-8 European Roulette
- Automatic
(Resizable Stream)
- Automatic
(Full Screen Stream)
- Stand-alone | 31 Spinning Crown
32 Versailles Gold
33 Mighty Sparta Epic Cash
34 Mystic Desert
35 Stars Respin |
| American Roulette
- Automatic
(Resizable Stream)
- Automatic
(Full Screen Stream)
- Stand-alone | 36 The Wild Griffin
37 Luxury Hot
38 40 Burning Hot 6 reels
39 Supreme Hot
40 100 Lucky Hat |
| 9 40 Super Hot | 41 40 Shining Crown |
| 10 Burning Hot | 42 Rise of Ra |
| 11 Flaming Hot | 43 30 Spicy Fruits |
| 12 Flaming Hot Extreme | 44 Emperor's Palace |
| 13 20 Super Hot Dazzle Cash | 45 Cats Royal |
| 14 Book of Magic Dazzle Cash | 46 Olympus Glory |
| 15 Burning Hot Extreme | 47 Genie's Temple |
| 16 Sugartime | 48 Dice & Roll |
| 17 10 Shining Diamond | 49 40 Burning Hot |
| 18 Amazons' Battle | 50 Zodiac Wheel |
| 19 5 Dazzling Hot | 51 Secrets of Alchemy |
| 20 Shining Crown | 52 Chinese Garden |
| 21 Vampire Night | 53 Egypt Sky |
| 22 Book of Realm | 54 Tirol Fest |
| 23 Gold Keeper | 55 Fruits Kingdom |
| 24 Karnak Treasure | 56 Penguin Style |
| 25 Shining Crown Cash Heat | 57 Circus Brilliant |

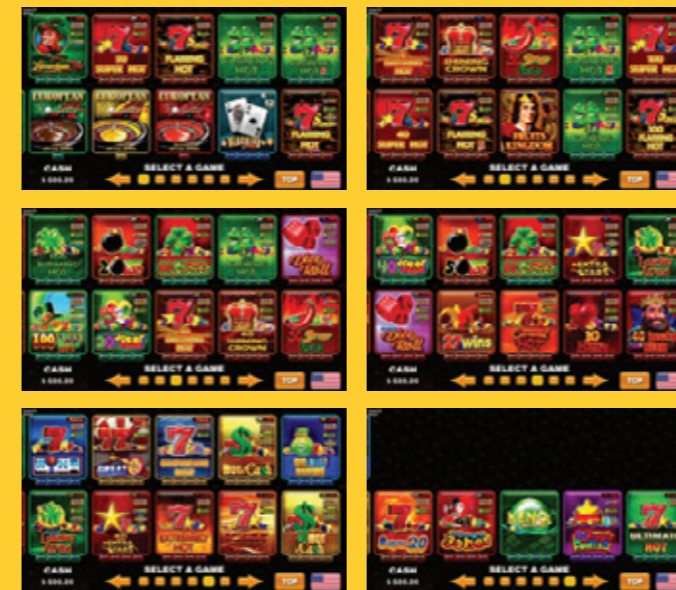
GREEN HD POWER

Jackpots	Coin jackpot Jackpot Cards System Premium Link Jackpot System Lady's Card Jackpot System SAS-Progressive																														
Options & Features	Multi-denomination Autoplay Gamble Multi-language																														
Platform																															
SAS Protocol	SAS 6.02																														
Cabinets	<table border="0"> <tr><td>G 50 C ST</td><td> </td><td>G 50 C UP</td></tr> <tr><td>G 50 J1 ST</td><td> </td><td>G 50 J1 UP</td></tr> <tr><td>G 50 J2 ST</td><td> </td><td>G 50 J2 UP</td></tr> <tr><td>G 27-27 ST</td><td> </td><td>G 27-27 UP</td></tr> <tr><td>G 27-32 ST</td><td> </td><td>G 27-32 UP</td></tr> <tr><td>G 50 V ST</td><td> </td><td>G 55 C VIP</td></tr> <tr><td>G 55 J1 VIP</td><td> </td><td>G 50-50 C VIP</td></tr> <tr><td>G 32-32 VIP</td><td> </td><td>G 27 T</td></tr> <tr><td>G 32 T</td><td> </td><td>GS 32 T</td></tr> <tr><td>GS 32-32</td><td> </td><td>GS 32-32-32</td></tr> </table>	G 50 C ST		G 50 C UP	G 50 J1 ST		G 50 J1 UP	G 50 J2 ST		G 50 J2 UP	G 27-27 ST		G 27-27 UP	G 27-32 ST		G 27-32 UP	G 50 V ST		G 55 C VIP	G 55 J1 VIP		G 50-50 C VIP	G 32-32 VIP		G 27 T	G 32 T		GS 32 T	GS 32-32		GS 32-32-32
G 50 C ST		G 50 C UP																													
G 50 J1 ST		G 50 J1 UP																													
G 50 J2 ST		G 50 J2 UP																													
G 27-27 ST		G 27-27 UP																													
G 27-32 ST		G 27-32 UP																													
G 50 V ST		G 55 C VIP																													
G 55 J1 VIP		G 50-50 C VIP																													
G 32-32 VIP		G 27 T																													
G 32 T		GS 32 T																													
GS 32-32		GS 32-32-32																													



- | | |
|----------------------------|-----------------------------|
| 1 Star Blackjack | 27 Tropical Beauties |
| 2 Baccarat | 28 Heroic Victory Epic Cash |
| 3 Extra Star Blackjack | 29 Forest Whisper |
| 4 Keno Universe | 30 Vampire Night |
| 5 20 Super Hot | 31 40 Charming Joker |
| 6-8 European Roulette | 32 Versailles Gold |
| - Automatic | 33 100 Lucky Hat |
| (Resizable Stream) | 34 40 Shining Crown |
| - Automatic | 35 Rise of Ra |
| (Full Screen Stream) | 36 Wealth Palace |
| - Stand-alone | 37 Cats' Story |
| American Roulette | 38 Mighty Sparta Epic Cash |
| - Automatic | 39 The Great Exploit |
| (Resizable Stream) | Shiny Cash |
| - Automatic | 40 Shining Grace |
| (Full Screen Stream) | 41 Extra Stars |
| - Stand-alone | 42 40 Burning Hot |
| 9 40 Super Hot | 43 100 Super Hot |
| 10 Burning Hot | 44 20 Hot Blast |
| 11 Flaming Hot | 45 Volcano Wealth |
| 12 Flaming Hot Extreme | 46 Irish Charm |
| 13 Amazons' Battle | 47 Almighty Realm |
| 14 5 Dazzling Hot | 48 30 Spicy Fruits |
| 15 Shining Crown | 49 Emperor's Palace |
| 16 10 Joker Burst | 50 Retro Cabaret |
| 17 10 Crystal Wish | 51 Lucky Food |
| 18 20 Super Hot Epic Cash | 52 Mythical Treasure |
| 19 Burning Hot Epic Cash | 53 Knights Heart |
| 20 Fury Princess | 54 Tirol Fest |
| 21 Amazons' Battle 6 reels | 55 Rainbow Luck |
| 22 Retro Cabaret 6 reels | 56 Lucky Wood |
| 23 Flaming Hot 6 reels | 57 Ice Valley |
| 24 40 Burning Hot 6 reels | |
| 25 Burning Hot 6 reels | |
| 26 Eastern Carnival | |

Jackpots	Coin jackpot Jackpot Cards System Premium Link Jackpot System Lady's Card Jackpot System SAS-Progressive																					
Options & Features	Multi-denomination Autoplay Gamble Multi-language																					
Platform																						
SAS Protocol	SAS 6.02																					
Cabinets	<table border="0"> <tr><td>G 50 C ST</td><td> </td><td>G 50 C UP</td></tr> <tr><td>G 50 J1 ST</td><td> </td><td>G 50 J1 UP</td></tr> <tr><td>G 50 J2 ST</td><td> </td><td>G 50 J2 UP</td></tr> <tr><td>G 27-27 ST</td><td> </td><td>G 27-27 UP</td></tr> <tr><td>G 27-32 ST</td><td> </td><td>G 27-32 UP</td></tr> <tr><td>G 50 V ST</td><td> </td><td>G 55 C VIP</td></tr> <tr><td>G 55 J1 VIP</td><td> </td><td>G 32-32 VIP</td></tr> </table>	G 50 C ST		G 50 C UP	G 50 J1 ST		G 50 J1 UP	G 50 J2 ST		G 50 J2 UP	G 27-27 ST		G 27-27 UP	G 27-32 ST		G 27-32 UP	G 50 V ST		G 55 C VIP	G 55 J1 VIP		G 32-32 VIP
G 50 C ST		G 50 C UP																				
G 50 J1 ST		G 50 J1 UP																				
G 50 J2 ST		G 50 J2 UP																				
G 27-27 ST		G 27-27 UP																				
G 27-32 ST		G 27-32 UP																				
G 50 V ST		G 55 C VIP																				
G 55 J1 VIP		G 32-32 VIP																				



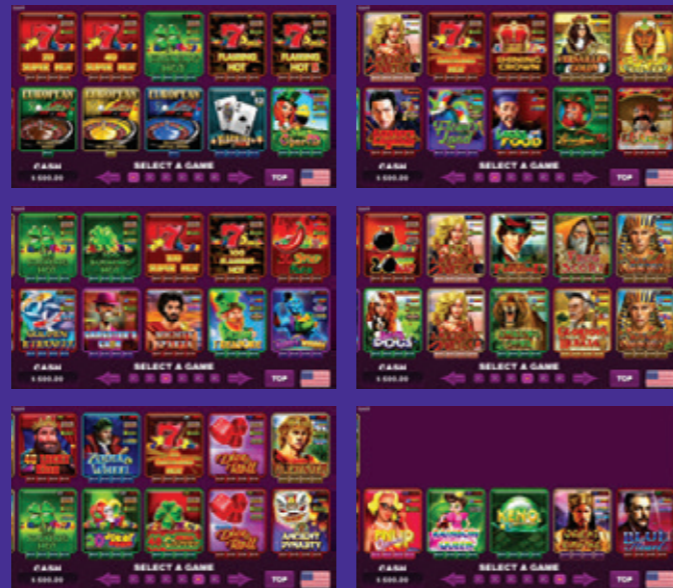
FRUITS HD POWER

- | | |
|-----------------------------|----------------------|
| 1 Leprechaun Hot | 30 50 Spicy Fruits |
| 2 20 Super Hot | 31 40 Joker Reels |
| 3 Flaming Hot | 32 50 Hot Blast |
| 4 Burning Hot | 33 50 Mega Clover |
| 5 40 Burning Hot 6 Reels | 34 Extra Stars |
| 6-8 European Roulette | 35 Lucky & Wild |
| - Automatic Wheel | 36 more Dice & Roll |
| - Virtual Wheel | 37 27 Wins |
| - Stand-alone Virtual Wheel | 38 Caramel Hot |
| 9 Star Blackjack | 39 10 Burning Heart |
| 10 Flaming Hot Extreme | 40 40 Lucky King |
| 11 5 Dazzling Hot | 41 81 Wins |
| 12 Shining Crown | 42 Great 27 |
| 13 30 Spicy Fruits | 43 Supreme Hot |
| 14 Burning Hot 6 reels | 44 Hot & Cash |
| 15 100 Super Hot | 45 40 Ultra Respin |
| 16 40 Super Hot | 46 more Lucky & Wild |
| 17 Flaming Hot 6 reels | 47 40 Extra Stars |
| 18 Fruits Kingdom | 48 Extremely Hot |
| 19 40 Burning Hot | 49 Lucky Hot |
| 20 100 Flaming Hot | 50 40 Hot & Cash |
| 21 100 Burning Hot | 51 Super 20 |
| 22 20 Hot Blast | 52 20 Charming Joker |
| 23 40 Mega Clover | 53 Keno Universe |
| 24 20 Burning Hot | 54 5 Juggle Fruits |
| 25 Dice & Roll | 55 Ultimate Hot |
| 26 100 Lucky Hat | |
| 27 20 Joker Reels | |
| 28 20 Dazzling Hot | |
| 29 40 Shining Crown | |

PURPLE HD POWER

- 1 20 Super Hot
- 2 40 Super Hot
- 3 Burning Hot
- 4 Flaming Hot
- 5 Flaming Hot 6 reels
- 6-8 European Roulette
- Automatic Wheel
- Virtual Wheel
- Stand-alone Virtual Wheel
- 9 Star Blackjack
- 10 Irish Charm
- 11 Amazons' Battle
- 12 5 Dazzling Hot
- 13 Shining Crown
- 14 Versailles Gold
- 15 Rise of Ra
- 16 Eastern Legends
- 17 Flower Land
- 18 Lucky Food
- 19 Leprechaun Hot
- 20 El Amigo
- 21 40 Burning Hot
- 22 100 Burning Hot
- 23 100 Super Hot
- 24 100 Flaming Hot
- 25 30 Spicy Fruits
- 26 Golden Eternity
- 27 Gangster's Cash
- 28 Mighty Sparta Epic Cash
- 29 Irish Treasure
- 30 Genie's Temple
- 31 20 Hot Blast
- 32 50 Amazons' Battle
- 33 Dorothy's Fairyland
- 34 Frog Story
- 35 Almighty Ramses II
- 36 Sweetie Dogs
- 37 Amazons' Battle 6 reels
- 38 Amazing China
- 39 Glorious Hidalgo
- 40 Almighty Ramses II both ways
- 41 40 Lucky King
- 42 Zodiac Wheel
- 43 20 Dazzling Hot
- 44 Dice & Roll
- 45 The Story of Alexander
- 46 20 Burning Hot
- 47 20 Joker Reels
- 48 40 Mega Clover
- 49 more Dice & Roll
- 50 Ancient Dynasty
- 51 Pin Up Queens
- 52 Rainbow Queen
- 53 Keno Universe
- 54 Great Empire
- 55 Blue Heart


Jackpots	Coin jackpot Jackpot Cards System Premium Link Jackpot System Lady's Card Jackpot System SAS-Progressive
Options & Features	Multi-denomination Autoplay Gamble Multi-language
Platform	EXCITER III
SAS Protocol	SAS 6.02
Cabinets	G 50 C ST G 50 C UP G 50 J1 ST G 50 J1 UP G 50 J2 ST G 50 J2 UP G 27-27 ST G 27-27 UP G 27-32 ST G 27-32 UP G 50 V ST G 55 C VIP G 55 J1 VIP G 32-32 VIP



SERIES POWER




PURPLE HD POWER FRUITS HD POWER GREEN HD POWER BLUE HD POWER

Jackpots	Coin jackpot Jackpot Cards System Premium Link Jackpot System Lady's Card Jackpot System SAS-Progressive
Options & Features	Multi-denomination Autoplay Gamble Multi-language
Platform	
SAS Protocol	SAS 6.02
Cabinets	Super Premier G 50 V ST Super Premier 75 G 50 J1 ST P-42V St Curved G 50 J1 UP P-42V Up Curved G 50 J2 ST P-27/32H St G 50 J2 UP P-27/27 St G 50 C ST P-27/27 St Slim G 50 C UP P-24/24 Up G 27-32 ST G 55 C VIP G 27-32 UP G 55 J1 VIP G 27-27 ST G 32-32 VIP G 27-27 UP

GOLD COLLECTION HD

- 1 20 Super Hot
- 2 40 Super Hot
- 3 Burning Hot
- 4 5 Dazzling Hot
- 5 Flaming Hot
- 6 Amazons' Battle
- 7 Lucky Food
- 8 Irish Charm
- 9 Flaming Hot 6 reels
- 10 Amazons' Battle 6 reels
- 11 Flower Land
- 12 Eastern Legends
- 13 Shining Crown
- 14 Versailles Gold
- 15 Dice & Roll
- 16 20 Joker Reels
- 17 Rise of Ra
- 18 40 Burning Hot
- 19 20 Burning Hot
- 20 Glorious Hidalgo
- 21 Leprechaun Hot
- 22 Golden Eternity
- 23 Gangster's Cash
- 24 Mighty Sparta
- 25 100 Super Hot
- 26 100 Burning Hot
- 27 40 Lucky King
- 28 100 Flaming Hot
- 29 20 Hot Blast
- 30 Amazing China
- 31 Almighty Ramses II
- 32 Almighty Ramses II both ways
- 33 El Amigo
- 34 Sweetie Dogs
- 35 Irish Treasure
- 36 Genie's Temple
- 37 30 Spicy Fruits
- 38 Dorothy's Fairyland
- 39 more Dice & Roll
- 40 The Story of Alexander
- 41 Great Empire
- 42 50 Amazons' Battle
- 43 20 Dazzling Hot
- 44 Blue Heart
- 45 Rainbow Queen
- 46 Pin Up Queens
- 47 Zodiac Wheel
- 48 40 Mega Clover



Jackpots	Coin jackpot Jackpot Cards System Premium Link Jackpot System Lady's Card Jackpot System SAS-Progressive
Options & Features	Multi-denomination Autoplay Gamble Multi-language
Platform	
SAS Protocol	SAS 6.02
Cabinets	P-42V St Curved P-42V Up Curved Super Premier Super Premier 75 P-27/32H St P-27/27 St P-27/27 St Slim P-24/24 Up

PURPLE COLLECTION

- 1 20 Super Hot
- 2 40 Super Hot
- 3 Burning Hot
- 4 5 Dazzling Hot
- 5 Flaming Hot
- 6 Amazons' Battle
- 7 Burning Hot 6 reels
- 8 Rainbow Luck
- 9 Flaming Hot Extreme
- 10 Tirol Fest
- 11 Volcano Wealth
- 12 Vampire Night
- 13 Shining Crown
- 14 Versailles Gold
- 15 Dice & Roll
- 16 20 Joker Reels
- 17 Rise of Ra
- 18 Eternal Lotus
- 19 Pin Up Queens
- 20 Ice Valley
- 21 Knights Heart
- 22 40 Burning Hot
- 23 40 Burning Hot 6 reels
- 24 Mythical Treasure
- 25 20 Diamonds
- 26 20 Dazzling Hot
- 27 Almighty Ramses II
- 28 40 Almighty Ramses II
- 29 50 Amazons' Battle
- 30 20 Burning Hot
- 31 100 Burning Hot
- 32 20 Hot Blast
- 33 40 Ultra Respin
- 34 Emperor's Palace
- 35 30 Summer Bliss
- 36 Lucky Wood
- 37 30 Spicy Fruits
- 38 100 Super Hot
- 39 40 Mega Clover
- 40 Frog Story
- 41 Magic Guardians
- 42 Blue Oceans
- 43 Empress Charm
- 44 40 Lucky King
- 45 The Story of Alexander 2
- 46 Retro Cabaret
- 47 Ancient Dynasty
- 48 Dorothy's Fairyland



UNION COLLECTION

Union Collection is a compilation of live, automated, and virtual roulettes plus 45 of the most popular EGT titles and is driven by the powerful platform Exciter III. The software can be installed both on a single monitor gaming machine (e.g. STORK and Premier Roulette) and dual monitor cabinets. The player has the opportunity to choose between multiple denominations from the select game screen, using simple and convenient navigation. The animated upper screen shows additional information about the game families of each title.




Jackpots	Coin jackpot Jackpot Cards System Premium Link Jackpot System Lady's Card Jackpot System SAS-Progressive
Options & Features	Multi-denomination Autoplay Gamble Multi-language
Platform	EXCITER III
SAS Protocol	SAS 6.02
Cabinets	P-42V St Curved P-42V Up Curved Super Premier Super Premier 75 P-27/32H St P-27/27 St P-27/27 St Slim P-24/24 Up



UNION COLLECTION


- 1-3 European Roulette
 - Live Wheel
 - Automatic Wheel
 - Virtual Wheel
 - Stand-alone Virtual Wheel
- 4 20 Super Hot
- 5 40 Super Hot
- 6 100 Super Hot
- 7 Burning Hot
- 8 20 Burning Hot
- 9 40 Burning Hot
- 10 100 Burning Hot
- 11 5 Dazzling Hot
- 12 20 Dazzling Hot
- 13 Amazons' Battle
- 14 50 Amazons' Battle
- 15 Flaming Hot
- 16 40 Lucky King
- 17 40 Mega Clover
- 18 40 Ultra Respin
- 19 30 Spicy Fruits
- 20 50 Spicy Fruits
- 21 20 Joker Reels
- 22 Versailles Gold
- 23 20 Hot Blast
- 24 Shining Crown
- 25 Dice & Roll
- 26 20 Diamonds
- 27 5 Juggle Fruits
- 28 Extra Stars
- 29 Ancient Dynasty
- 30 Dorothy's Fairyland
- 31 Pin Up Queens
- 32 Rise of Ra
- 33 Frog Story
- 34 Brave Cat
- 35 Almighty Ramses II
- 36 Blue Heart
- 37 Captain Nemo's Journey
- 38 Lucky Hot
- 39 The Story of Alexander
- 40 Ocean Rush
- 41 Supreme Hot
- 42 Ultimate Hot
- 43 Thumbelina's Dream
- 44 Age of Troy
- 45 Secrets of Alchemy
- 46 Egypt Sky
- 47 Legendary Rome
- 48 Book of Magic

Jackpots	Coin jackpot Jackpot Cards System Premium Link Jackpot System Lady's Card Jackpot System SAS-Progressive
Options & Features	Multi-denomination Autoplay Gamble Multi-language
Platform	
SAS Protocol	SAS 6.02
Cabinets	P-42V St Curved P-42V Up Curved Super Premier Super Premier 75 P-27/32H St P-27/27 St P-27/27 St Slim P-24/24 Up

FRUITS COLLECTION 2

- | | |
|---------------------|----------------------|
| 1 20 Super Hot | 30 more Dice & Roll |
| 2 40 Super Hot | 31 Lucky & Wild |
| 3 100 Super Hot | 32 more Lucky & Wild |
| 4 100 Lucky Hat | 33 Hot & Cash |
| 5 Burning Hot | 34 40 Hot & Cash |
| 6 20 Burning Hot | 35 20 Charming Joker |
| 7 40 Burning Hot | 36 40 Lucky King |
| 8 100 Burning Hot | 37 5 Juggle Fruits |
| 9 40 Mega Clover | 38 Caramel Hot |
| 10 50 Mega Clover | 39 Super 20 |
| 11 Flaming Hot | 40 Dice High |
| 12 100 Flaming Hot | 41 Lucky Hot |
| 13 Extra Stars | 42 Extremely Hot |
| 14 20 Extra Stars | 43 Ultimate Hot |
| 15 40 Extra Stars | 44 5 Great Star |
| 16 40 Ultra Respin | 45 Supreme Hot |
| 17 5 Dazzling Hot | 46 Great 27 |
| 18 20 Dazzling Hot | 47 27 Wins |
| 19 20 Hot Blast | 48 81 Wins |
| 20 50 Hot Blast | |
| 21 30 Spicy Fruits | |
| 22 50 Spicy Fruits | |
| 23 20 Joker Reels | |
| 24 40 Joker Reels | |
| 25 Shining Crown | |
| 26 40 Shining Crown | |
| 27 5 Burning Heart | |
| 28 10 Burning Heart | |
| 29 Dice & Roll | |




Jackpots	Coin jackpot Jackpot Cards System Premium Link Jackpot System Lady's Card Jackpot System SAS-Progressive
Options & Features	Multi-denomination Autoplay Gamble Multi-language
Platform	
SAS Protocol	SAS 6.02
Cabinets	P-42V St Curved P-42V Up Curved Super Premier Super Premier 75 P-27/32H St P-27/27 St P-27/27 St Slim P-24/24 Up

ORANGE COLLECTION

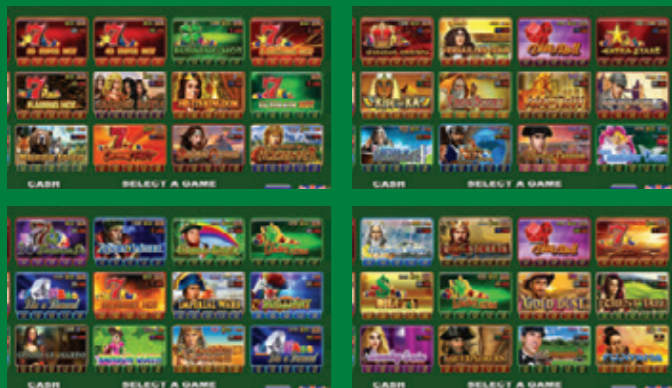
- | | |
|-----------------------|---------------------------|
| 1 20 Super Hot | 30 Extremely Hot |
| 2 40 Super Hot | 31 Egypt Sky |
| 3 Burning Hot | 32 Cats Royal |
| 4 5 Dazzling Hot | 33 The White Wolf |
| 5 Flaming Hot | 34 Action Money |
| 6 Amazons' Battle | 35 Brave Cat |
| 7 Penguin Style | 36 Captain Nemo's Journey |
| 8 Age of Troy | 37 Olympus Glory |
| 9 Ocean Rush | 38 Royal Secrets |
| 10 Secrets of Alchemy | 39 more Dice & Roll |
| 11 Spanish Passion | 40 Lucky Hot |
| 12 Thumbelina's Dream | 41 Hot & Cash |
| 13 Shining Crown | 42 more Lucky & Wild |
| 14 Versailles Gold | 43 Oil Company II |
| 15 Dice & Roll | 44 Halloween |
| 16 Extra Stars | 45 Witches' Charm |
| 17 Rise of Ra | 46 Dragon Reels |
| 18 Frog Story | 47 Kangaroo Land |
| 19 Ultimate Hot | 48 Venezia D'Oro |
| 20 Fortune Spells | |
| 21 Caramel Hot | |
| 22 Dice High | |
| 23 Dragon Reborn | |
| 24 Wonder Tree | |
| 25 20 Diamonds | |
| 26 Zodiac Wheel | |
| 27 Game of Luck | |
| 28 Lucky & Wild | |
| 29 Like a Diamond | |




Jackpots	Coin jackpot Jackpot Cards System Premium Link Jackpot System Lady's Card Jackpot System SAS-Progressive
Options & Features	Multi-denomination Autoplay Gamble Multi-language
Platform	
SAS Protocol	SAS 6.02
Cabinets	P-42V St Curved P-42V Up Curved Super Premier Super Premier 75 P-27/32H St P-27/27 St P-27/27 St Slim P-24/24 Up

GREEN COLLECTION

- | | |
|---------------------------|------------------------|
| 1 20 Super Hot | 30 Extremely Hot |
| 2 40 Super Hot | 31 Imperial Wars |
| 3 Burning Hot | 32 Circus Brilliant |
| 4 5 Dazzling Hot | 33 Genius of Leonardo |
| 5 Flaming Hot | 34 Rainbow Queen |
| 6 Amazons' Battle | 35 Almighty Ramses II |
| 7 Fruits Kingdom | 36 more Like a Diamond |
| 8 Ultimate Hot | 37 Olympus Glory |
| 9 Majestic Forest | 38 Royal Secrets |
| 10 Caramel Hot | 39 more Dice & Roll |
| 11 Dragon Reborn | 40 Lucky Hot |
| 12 The Story of Alexander | 41 Hot & Cash |
| 13 Shining Crown | 42 more Lucky & Wild |
| 14 Versailles Gold | 43 Gold Dust |
| 15 Dice & Roll | 44 Forest Tale |
| 16 Extra Stars | 45 Lucky Cats |
| 17 Rise of Ra | 46 The Explorers |
| 18 Frog Story | 47 50 Horses |
| 19 Age of Troy | 48 Fujiyama |
| 20 The Secrets of London | |
| 21 Secrets of Alchemy | |
| 22 Captain Nemo's Journey | |
| 23 Spanish Passion | |
| 24 Thumbelina's Dream | |
| 25 20 Diamonds | |
| 26 Zodiac Wheel | |
| 27 Game of Luck | |
| 28 Lucky & Wild | |
| 29 Like a Diamond | |



Jackpots	Coin jackpot Jackpot Cards System Premium Link Jackpot System Lady's Card Jackpot System SAS-Progressive
Options & Features	Multi-denomination Autoplay Gamble Multi-language
Platform	
SAS Protocol	SAS 6.02
Cabinets	P-42V St Curved P-42V Up Curved Super Premier Super Premier 75 P-27/32H St P-27/27 St P-27/27 St Slim P-24/24 Up

RED COLLECTION

- | | |
|---------------------------|---------------------------|
| 1 20 Super Hot | 30 20 Burning Hot |
| 2 40 Super Hot | 31 Legendary Rome |
| 3 Burning Hot | 32 Great Empire |
| 4 5 Dazzling Hot | 33 Dice High |
| 5 Flaming Hot | 34 Amazing Amazonia |
| 6 Amazons' Battle | 35 The Story of Alexander |
| 7 50 Amazons' Battle | 36 Thumbelina's Dream |
| 8 Pin Up Queens | 37 Brave Cat |
| 9 Ancient Dynasty | 38 100 Super Hot |
| 10 20 Joker Reels | 39 27 Wins |
| 11 30 Spicy Fruits | 40 Great 27 |
| 12 40 Mega Clover | 41 Secrets of Alchemy |
| 13 Shining Crown | 42 Fruits Kingdom |
| 14 Versailles Gold | 43 Wonder Tree |
| 15 Dice & Roll | 44 Book of Magic |
| 16 Extra Stars | 45 Blue Heart |
| 17 Rise of Ra | 46 Ocean Rush |
| 18 Frog Story | 47 Coral Island |
| 19 40 Burning Hot | 48 Wonderheart |
| 20 20 Hot Blast | |
| 21 40 Ultra Respin | |
| 22 Almighty Ramses II | |
| 23 Captain Nemo's Journey | |
| 24 Dorothy's Fairyland | |
| 25 20 Diamonds | |
| 26 Zodiac Wheel | |
| 27 40 Lucky King | |
| 28 Lucky & Wild | |
| 29 5 Juggle Fruits | |



The background is a solid red color with several sets of white, parallel, rounded lines. One set of lines is in the top-left corner, another set is in the bottom-right corner, and a third set is in the bottom-center area, creating a sense of depth and movement.

MULTIGAMES

GAMES DETAILS

SERIES GENERAL

	Red GENERAL HD	Fruits GENERAL HD	Green GENERAL HD	Blue GENERAL HD	Bonus Prize GENERAL HD	Gold GENERAL HD	Reel Configuration	Payline Configuration	Game Features	Volatility
5 Dazzling Hot	●	●	●	●	●	●	5	5 fixed	Just Reel Game, Stacked Symbols	2
5 Juggle Fruits		●	●	●	●	●	3	5 fixed	Free Spins, Stacked Symbols	3
10 Burning Heart		●	●	●	●	●	5	10 fixed	Just Reel Game, Stacked Symbols, Expanding Wild	2
10 Crystal Wish			●	●	●	●	5	10 fixed	Just Reel Game, Re-Spins, Expanding Wild	
10 Joker Burst			●	●	●	●	5	10 fixed	Just Reel Game, Re-Spins, Expanding Wild	
10 Shining Diamond				●	●	●	5	10 fixed	Just Reel Game, Stacked Symbols, Expanding Wild	2
10 Shining Diamond Shiny Cash					●	●	5	10 fixed	Just Reel Game, Stacked Symbols, Expanding Wild	
20 Burning Hot	●	●	●	●	●	●	5	20 fixed	Just Reel Game, Stacked Symbols, Expanding Wild	2
20 Burning Hot Cash Heat				●	●	●	5	20 fixed	Keep & Spin, Stacked Symbols, Expanding Wild	2
20 Charming Joker		●	●	●	●	●	5	20 fixed	Just Reel Game, Stacked Symbols	2
20 Dazzling Hot	●	●	●	●	●	●	5	20 fixed	Just Reel Game, Stacked Symbols	3
20 Hot Blast	●	●	●	●	●	●	5	20 fixed	Just Reel Game, Toppling Reels, Expanding Wild	3
20 Joker Reels	●	●	●	●	●	●	5	20 fixed	Just Reel Game, Stacked Symbols	2
20 Super Hot	●	●	●	●	●	●	5	20 fixed	Just Reel Game, Stacked Symbols	1
20 Super Hot Epic Cash			●	●	●	●	5	20 fixed	Just Reel Game, Stacked Symbols	
20 Super Hot Dazzle Cash				●	●	●	5	20 fixed	Just Reel Game, Stacked Symbols	
27 Wins		●	●	●	●	●	3	REEL 27 WAYS PAY	Just Reel Game, Stacked Symbols	2
27 Fruit Ways			●	●	●	●	3	REEL 27 WAYS PAY	Just Reel Game, Stacked Symbols	2
30 Spicy Fruits	●	●	●	●	●	●	5	30 fixed	Stacked Symbols, Free Spins	2
40 Burning Hot	●	●	●	●	●	●	5	40 fixed	Just Reel Game, Stacked Symbols, Expanding Wild	3

SERIES GENERAL

	Red GENERAL HD	Fruits GENERAL HD	Green GENERAL HD	Blue GENERAL HD	Bonus Prize GENERAL HD	Gold GENERAL HD	Reel Configuration	Payline Configuration	Game Features	Games Volatility
40 Burning Hot 6 Reels		●	●	●	●	●	6	40 fixed	Just Reel Game, Stacked Symbols, Expanding Wild	
40 Charming Joker			●	●	●	●	5	40 fixed	Just Reel Game, Stacked Symbols	
40 Extra Stars		●	●	●	●	●	5	40 fixed	Just Reel Game, Re-Spins, Expanding Wild	3
40 Hot & Cash		●	●	●	●	●	5	40 fixed	Just Reel Game, Stacked Symbols, Stretching Wild	2
40 Joker Reels		●	●	●	●	●	5	40 fixed	Just Reel Game, Stacked Symbols	2
40 Lucky King	●	●	●	●	●	●	5	40 fixed	Just Reel Game, Stacked Symbols	2
40 Mega Clover	●	●	●	●	●	●	5	40 fixed	Just Reel Game, Stacked Symbols	2
40 Shining Crown		●	●	●	●	●	5	40 fixed	Just Reel Game, Stacked Symbols, Expanding Wild	3
40 Super Hot	●	●	●	●	●	●	5	40 fixed	Just Reel Game, Stacked Symbols	1
40 Ultra Respin		●	●	●	●	●	5	40 fixed	Just Reel Game, Stacked Symbols, Re-Spins	4
50 Hot Blast		●	●	●	●	●	5	50 fixed	Toppling Reels, Expanding Wild	3
50 Mega Clover		●	●	●	●	●	5	50 fixed	Just Reel Game, Stacked Symbols	2
50 Spicy Fruits		●	●	●	●	●	5	50 fixed	Free Spins, Stacked Symbols	2
81 Wins		●	●	●	●	●	4	REEL 81 WAYS PAY	Just Reel Game, Stacked Symbols	3
100 Burning Hot	●	●	●	●	●	●	5	100 fixed	Just Reel Game, Stacked Symbols, Expanding Wild	3
100 Flaming Hot	●	●	●	●	●	●	5	100 fixed	Just Reel Game, Stacked Symbols	3
100 Lucky Hat		●	●	●	●	●	5	100 fixed	Just Reel Game, Stacked Symbols, Expanding Wild	2
100 Super Fruits	●	●	●	●	●	●	5	100 fixed	Just Reel Game, Stacked Symbols	
100 Super Hot	●	●	●	●	●	●	5	100 fixed	Just Reel Game, Stacked Symbols	1
100 Super Hot 6 reels				●	●	●	6	100 fixed	Just Reel Game, Stacked Symbols	1

SERIES GENERAL

	Red GENERAL HD	Fruits GENERAL HD	Green GENERAL HD	Blue GENERAL HD	Bonus Prize GENERAL HD	Gold GENERAL HD	Reel Configuration	Payline Configuration	Game Features	Games Volatility
Age of Troy	●						5	20	Stacked Wild, Free Spins	5
Almighty Ramses II	●					●	5	20 fixed	Moving Symbols, Stacked Symbols, Free Spins	3
Almighty Ramses II both ways	●						5	20 fixed	Moving Symbols, Stacked Symbols, Free Spins	
Almighty Realm			●				5	40 fixed	Re-Spins, Double Symbols, Free Spins	
Amazing China	●						6	XTRA REEL 4096 WAYS PAY	Stacked Symbols, Free Spins	
Amazons' Battle	●		●	●		●	5	30	Stacked Symbols, Free Spins	2
Amazons' Battle 6 reels	●		●	●		●	6	80	Stacked Symbols, Free Spins	
Blue Heart						●	5	100	Stacked Wild, Free Spins	2
Book of Magic Dazzle Cash				●	●		5	20 fixed	Free Spins	3
Book of Realm				●		●	5	10	Expanding Symbol, Free Spins	5
Book of Realm Jumboways						●	6	REEL 64 WAYS PAY to REEL 15625 WAYS PAY	Expanding Symbol, Free Spins, Jumboways, Buy Free Spins	
Book of Shining Hot Jumboways						●	6	REEL 64 WAYS PAY to REEL 15625 WAYS PAY	Expanding Symbol, Free Spins, Jumboways, Buy Free Spins	
Brave Cat						●	5	40 fixed	Double Scatter, Stacked Symbols, Free Spins	3
Burning Eye						●	3	REEL 27 WAYS PAY to REEL 6562 WAYS PAY	Just Reel Game, Reels Expand	
Burning Hot	●	●	●	●		●	5	5 fixed	Just Reel Game, Expanding Wild, Stacked Symbols	2
Burning Hot 6 Reels		●	●				6	5 fixed	Just Reel Game, Expanding Wild, Stacked Symbols	
Burning Hot Epic Cash			●		●	●	5	5 fixed	Just Reel Game, Expanding Wild, Stacked Symbols	
Burning Hot Extreme				●			5	5 fixed	Just Reel Game, Expanding Wild, Stacked Symbols	2
Caramel Hot		●					5	30 fixed	Just Reel Game, Stacked Symbols	2
Cats' Story			●				5	40 fixed	Re-Spins, Double Symbols, Free Spins	

SERIES GENERAL

	Red GENERAL HD	Fruits GENERAL HD	Green GENERAL HD	Blue GENERAL HD	Bonus Prize GENERAL HD	Gold GENERAL HD	Reel Configuration	Payline Configuration	Game Features	Games Volatility
Cat's Royal				●			5	20	Free Spins	4
Circus Brilliant				●			5	20	Free Spins	3
China Food	●						5	30 fixed	Stacked Symbols, Free Spins	
Chinese Garden	●			●			5	REEL 243 WAYS PAY	Free Spins	
Clover Respin						●	3	5 fixed	Just Reel Game, Re-Spins, Stacked Symbols	
Desert Wealth						●	6	SCATTER PAYS	Buy Free Spins, Toppling Reels, Stacked Symbols, Free Spins	
Dice & Roll		●		●			5	10 fixed	Just Reel Game, Stretching Wild, Stacked Symbols	4
Eastern Carnival			●		●	●	5	20 fixed	Free Spins, Re-Spins, Stacked Symbols	
Eastern Legends	●						5	REEL 576 WAYS PAY	Re-Spins, Twin Feature, Free Spins	
Egypt Sky				●			5	40	Freezing Wild, Expanding Wild, Free Spins	3
El Amigo	●						5	40	Re-Spins, Cluster Wins, Free Spins	
Emperor's Dream	●						5	10	Expanding Symbol, Free Spins	
Emperor's Palace	●		●	●			5	30	Stacked Symbols, Free Spins	2
Eternal Lotus	●						5	REEL 243 WAYS PAY	Stacked Symbols, Free Spins	
Extra Stars		●	●				5	10 fixed	Just Reel Game, Re-Spins, Expanding Wild	3
Extremely Hot		●					5	5 fixed	Just Reel Game, Stacked Symbols	3
Exquisite Wealth Cash Heat					●	●	5	25 fixed	Special Target Zone, Keep & Spin, Free Spins	
Flaming Hot	●	●	●	●		●	5	40 fixed	Just Reel Game, Stacked Symbols	2
Flaming Hot 6 Reels	●	●	●				6	40 fixed	Just Reel Game, Stacked Symbols	
Flaming Hot Extreme		●	●	●		●	5	40 fixed	Re-Spins, Stacked Symbols, Free Spins	

SERIES GENERAL

	Red GENERAL HD	Fruits GENERAL HD	Green GENERAL HD	Blue GENERAL HD	Bonus Prize GENERAL HD	Gold GENERAL HD	Reel Configuration	Payline Configuration	Game Features	Games Volatility
Flower Land	●						5	40 fixed	Re-Spins, Stacked Symbols, Free Spins	
Forest Whisper			●				5	REEL 243/1024/3125 WAYS PAY	Re-Spins, Free Spins	
Frog Story	●						5	20 fixed	Just Reel Game, Toppling Reels, Expanding Wild	3
Fruits Kingdom		●		●			5	10	Free Spins	4
Fury Princess			●				5	40 fixed	Re-Spins, Stacked Symbols, Free Spins	
Gangster's Cash	●						5+1	25 fixed	Special Target Zone, Stacked Symbols, Free Spins	
Genie's Temple	●			●			5	20 fixed	Expanding Wild, Mirror Feature, Free Spins	
Glorious Hidalgo	●						5	REEL 243 WAYS PAY	Twin Feature, Stacked Symbols, Free Spins	
Golden Eternity	●						5	40	Freezing Wild, Stacked Symbols, Free Spins	
Gold Keeper				●			5	20 fixed	Moving Wild, Stacked Symbols, Free Spins	2
Great 27		●					3	REEL 27 WAYS PAY	Stacked Symbols, Free Spins	3
Great China Shiny Cash	●				●		5	REEL 243 WAYS PAY	Stacked Symbols, Free Spins	
Heroic Victory Epic Cash			●		●		5	25 fixed	Stacked Wild, Free Spins	
Hot & Cash		●					5	20 fixed	Just Reel Game, Stacked Symbols, Stretching Wild	3
Ice Valley			●				5	XTRA REEL 1024 WAYS PAY	Stretching Wild, Boost Win Zone, Free Spins	
Irish Charm	●		●				5+1	5 fixed	Just Reel Game, Expanding Wild, Stacked Symbols	
Irish Treasure	●						5	40 fixed	Re-Spins, Stacked Symbols, Free Spins	
Karnak Treasure				●			5	25 fixed	Re-Spins, Expanding Symbol, Free Spins	2
Knights Heart			●				6	50	Stacked Wild, Stacked Symbols, Free Spins	
Leprechaun Hot	●	●					5	5 fixed	Just Reel Game, Expanding Wild, Stacked Symbols	

SERIES GENERAL

	Red GENERAL HD	Fruits GENERAL HD	Green GENERAL HD	Blue GENERAL HD	Bonus Prize GENERAL HD	Gold GENERAL HD	Reel Configuration	Payline Configuration	Game Features	Games Volatility
Lucky & Wild		●					5	20 fixed	Just Reel Game, Stacked Symbols, Stretching Wild	3
Lucky Food	●		●				5	20 fixed	Expanding Wild, Free Spins	
Lucky Hot		●					3	5 fixed	Just Reel Game, Stacked Symbols	2
Lucky Wood			●				5	REEL 243 WAYS PAY	Just Reel Game, Toppling Reels, Stacked Symbols	
Luxury Hot				●			5	10 fixed	Just Reel Game, Stacked Wild, Stacked Symbols	2
Mighty Sparta Epic Cash	●		●	●	●		5	25 fixed	Stacked Wild, Free Spins	
more Dice & Roll	●	●					5	40 fixed	Just Reel Game, Stacked Symbols, Stretching Wild	2
more Lucky & Wild		●					5	40 fixed	Just Reel Game, Stacked Symbols, Stretching Wild	3
Mythical Treasure			●			●	5	25	Free Spins, Stacked Symbols, Toppling Reels	2
Mystic Desert				●			5	100 fixed	Expanding Wild, Stacked Symbols, Free Spins	2
Olympus Glory				●			5	10	Free Spins, Expanding Symbol	5
Penguin Style				●			5	20 fixed	Free Spins, Stacked Wild, Freezing Wild	3
Rainbow Luck			●			●	5	25 fixed	Free Spins, Boost Win Zone, Stretching Wild	
Rainbow Hot						●	7	SCATTER PAYS	Buy Free Spins Free Spins, Toppling Reels, Cluster Pay	
Rainbow Queen						●	5	30	Free Spins, Extra Wilds	3
Retro Cabaret			●				5	30 fixed	Free Spins, Stacked Symbols	2
Retro Cabaret 6 reels			●				6	100	Free Spins, Stacked Symbols	
Rise of Ra			●	●		●	5	15	Free Spins	4
Secrets of Alchemy				●			5	25	Free Spins, Stacked Symbols, Toppling Reels	2
Sea Wolf Riches Fury Cash						●	5	25 fixed	Free Spins, Stacked Symbols, Re-Spins	
Shining Boom						●	6	SCATTER PAYS	Free Spins, Stacked Symbols, Toppling Reels	

SERIES GENERAL

	Red GENERAL HD	Fruits GENERAL HD	Green GENERAL HD	Blue GENERAL HD	Bonus Prize GENERAL HD	Gold GENERAL HD	Reel Configuration	Payline Configuration	Game Features	Games Volatility
Shining Crown	●	●	●	●	●	●	5	10 fixed	Just Reel Game, Stacked Symbols, Expanding Wild	2
Shining Crown Cash Heat	●	●	●	●	●	●	5	10 fixed	Keep & Spin, Stacked Symbols, Expanding Wild	2
Shining Grace	●	●	●	●	●	●	5	REEL 243 WAYS PAY	Re-Spins, Free Spins	
Spinning Crown	●	●	●	●	●	●	5	10 fixed	Free Spins, Stacked Symbols	4
Stars Respin	●	●	●	●	●	●	3	5 fixed	Just Reel Game, Stacked Symbols, Re-Spins	2
Sugartime	●	●	●	●	●	●	6	SCATTER PAYS	Buy Free Spins, Free Spins, Stacked Symbols, Toppling Reels	3
Supreme Hot	●	●	●	●	●	●	3	REEL 27 WAYS PAY	Just Reel Game, Stacked Symbols	2
Sweetie Dogs	●	●	●	●	●	●	5	REEL 256/512/1024 WAYS PAY	Free Spins, Stacked Symbols, Re-Spins	
The Story of Alexander	●	●	●	●	●	●	5	50	Free Spins, Stacked Symbols, Freezing Wild	3
The Great Exploit Shiny Cash	●	●	●	●	●	●	5	REEL 243 WAYS PAY	Stacked Symbols, Free Spins	
The Wild Griffin	●	●	●	●	●	●	5	25 fixed	Stretching Wild, Boost Win Zone, Free Spins	3
Thumbelina's Dream	●	●	●	●	●	●	6	225 fixed	Stacked Symbols, Stretching Wild, Free Spins	3
Tirol Fest	●	●	●	●	●	●	6	50	Stacks Pay Feature, Stacked Symbols, Free Spins	
Tropical Beauties	●	●	●	●	●	●	5	40 fixed	Re-Spins, Double Symbols, Free Spins	
Totems of Riches Fury Cash	●	●	●	●	●	●	5	25 fixed	Re-Spins, Stacked Symbols, Free Spins	2
Ultimate Hot	●	●	●	●	●	●	3	5 fixed	Just Reel Game	1
Valhalla Thunderstorm	●	●	●	●	●	●	5	40 fixed	Extra Wilds, Keep & Spin, Free Spins	
Vampire Night	●	●	●	●	●	●	5	5 fixed	Just Reel Game, Expanding Wild, Stacked Symbols	
Versailles Gold	●	●	●	●	●	●	5	10	Free Spins, Expanding Symbol	4
Volcano Wealth	●	●	●	●	●	●	5	100 fixed	Free Spins, Stacked Symbols, Expanding Wild	
Wealth Palace	●	●	●	●	●	●	5	REEL 243 WAYS PAY REEL 576 WAYS PAY	Free Spins	
Zodiac Wheel	●	●	●	●	●	●	5	5 fixed	Just Reel Game, Stacked Symbols, Expanding Wild	2

WINNER SELECTION

	Winner SELECTION 1	Winner SELECTION 2	Winner SELECTION 3	Winner SELECTION 4	Reel Configuration	Payline Configuration	Game Features	Games Volatility
10 Action Diamond	●	●	●	●	5	10 fixed	Just Reel Game, Stacked Symbols, Stretching Wild	4
20 Hot Burst	●	●	●	●	5	20 fixed	Just Reel Game, Toppling Reels, Expanding Wild	3
30 Spinning 7's	●	●	●	●	5	30 fixed	Free Spins, Stacked Symbols	2
50 Amazons' Battle	●	●	●	●	5	50	Free Spins, Stacked Symbols	2
100 Super Fruits	●	●	●	●	5	100 fixed	Just Reel Game, Stacked Symbols	
Action Money	●	●	●	●	5	20	Extra Wild, Free Spins	3
Almighty Realm	●	●	●	●	5	40 fixed	Re-Spins, Double Symbols, Free Spins	
Almighty Ramses II	●	●	●	●	5	20 fixed	Moving Symbols, Stacked Symbols, Free Spins	3
Amazons' Battle	●	●	●	●	5	30	Stacked Symbols, Free Spins	2
Amazons' Battle 6 reels	●	●	●	●	6	80	Stacked Symbols, Free Spins	
Ancient Dynasty	●	●	●	●	5	30	Stacked Symbols, Free Spins	2
Blue Heart	●	●	●	●	5	100	Free Spins, Stacked Wild	2
Book Of Magic Dazzle Cash	●	●	●	●	5	20 fixed	Free Spins	3
Book Of Realm	●	●	●	●	5	10	Free Spins, Expanding Symbol	5
Book of Realm Jumboways	●	●	●	●	6	REEL 64 WAYS PAY to REEL 15625 WAYS PAY	Free Spins, Expanding Symbol, Buy Free Spins	5
Book of Shining Hot Jumboways	●	●	●	●	6	REEL 64 WAYS PAY to REEL 15625 WAYS PAY	Free Spins, Expanding Symbol, Buy Free Spins	5
Brave Cat	●	●	●	●	5	40 fixed	Free Spins, Stacked Symbols, Double Scatter	3
Burning Eye	●	●	●	●	3/4/5/6/7/8	REEL 27 WAYS PAY to REEL 6562 WAYS PAY	Just Reel Game, Reels Expand	2
Burning Hot	●	●	●	●	5	5 fixed	Stacked Symbols, Expanding Wild, Just Reel Game	2
China Food	●	●	●	●	5	30 fixed	Stacked Symbols, Free Spins	
Chinese Garden	●	●	●	●	5	REEL 243 WAYS PAY	Free Spins	
Dice & Roll	●	●	●	●	5	10 fixed	Stacked Symbols, Stretching Wild, Just Reel Game	4

WINNER SELECTION

	Winner SELECTION 1	Winner SELECTION 2	Winner SELECTION 3	Winner SELECTION 4	Reel Configuration	Payline Configuration	Game Features	Games Volatility
Dorothy's Fairyland	●	●	●	●	5	30	Stacked Symbols, Free Spins	2
Eastern Carnival	●	●	●	●	5	20 fixed	Free Spins, Stacked Symbols, Re-Spins	
Egypt Sky	●	●	●	●	5	40	Free Spins, Expanding Wild, Freezing Wild	3
Emperor's Palace	●	●	●	●	5	30	Free Spins, Stacked Symbols	2
Exquisite Wealth Cash Heat	●	●	●	●	5	25 fixed	Free Spins, Keep & Spin, Special Target Zone	
Flower Land	●	●	●	●	5	40 fixed	Free Spins, Stacked Symbols, Re-Spins	
Forest Whisper	●	●	●	●	5	REEL 243/1024/3125 WAYS PAY	Free Spins, Re-Spins	
Frog Story	●	●	●	●	5	20 fixed	Expanding Wild, Toppling Reels, Just Reel Game	3
Fury Princess	●	●	●	●	5	40 fixed	Free Spins, Stacked Symbols, Re-Spins	
Gold Keeper	●	●	●	●	5	20 fixed	Free Spins, Stacked Symbols, Moving Wild	2
Gangster's Cash	●	●	●	●	5+1	25 fixed	Free Spins, Stacked Symbols, Special Target Zone	
Genie's Temple	●	●	●	●	5	20 fixed	Free Spins, Expanding Wild, Mirror Feature	
Great China Shiny Cash	●	●	●	●	5	REEL 243 WAYS PAY	Free Spins, Stacked Symbols	
Heroic Victory Epic Cash	●	●	●	●	5	25 fixed	Free Spins, Stacked Wild	
Ice Valley	●	●	●	●	5	XTRA REEL 1024 WAYS PAY	Stretching Wild, Boost Win Zone, Free Spins	
Karnak Treasure	●	●	●	●	5	25 fixed	Free Spins, Expanding Symbol, Re-Spins	2
Knights Heart	●	●	●	●	6	50	Free Spins, Stacked Symbols, Stacked Wild	
Lucky Food	●	●	●	●	5	20 fixed	Free Spins, Expanding Wild	
Lucky & Wild	●	●	●	●	5	20 fixed	Stacked Symbols, Stretching Wild, Just Reel Game	3
Luxury Hot	●	●	●	●	5	10 fixed	Stacked Wild, Stacked Symbols, Just Reel Game	2
Mighty Sparta Epic Cash	●	●	●	●	5	25 fixed	Stacked Wild, Free Spins	

WINNER SELECTION

	Winner SELECTION 1	Winner SELECTION 2	Winner SELECTION 3	Winner SELECTION 4	Reel Configuration	Payline Configuration	Game Features	Games Volatility
Mystic Desert	●	●	●	●	5	100 fixed	Expanding Wild, Stacked Symbols, Free Spins	
Mythical Treasure	●	●	●	●	5	25	Free Spins, Stacked Symbols, Toppling Reels	2
Penguin Style	●	●	●	●	5	20 fixed	Free Spins, Stacked Wild, Freezing Wild	3
Rainbow Luck	●	●	●	●	5	25 fixed	Free Spins, Boost Win Zone, Stretching Wild	
Rainbow Queen	●	●	●	●	5	30	Free Spins, Extra Wilds	3
Retro Cabaret	●	●	●	●	5	30 fixed	Free Spins, Stacked Symbols	2
Retro Cabaret 6 reels	●	●	●	●	6	100	Free Spins, Stacked Symbols	
Secrets of Alchemy	●	●	●	●	5	25	Free Spins, Stacked Symbols, Toppling Reels	2
Sea Wolf Riches Fury Cash	●	●	●	●	5	25 fixed	Free Spins, Stacked Symbols, Re-Spins	2
Shining Crown	●	●	●	●	5	10 fixed	Stacked Symbols, Expanding Wild, Just Reel Game	2
Shining Grace	●	●	●	●	5	REEL 243 WAYS PAY	Re-Spins, Free Spins	
Spinning Crown	●	●	●	●	5	10 fixed	Free Spins, Stacked Symbols	4
The Great Exploit Shiny Cash	●	●	●	●	5	REEL 243 WAYS PAY	Free Spins, Stacked Symbols	
The Wild Griffin	●	●	●	●	5	25 fixed	Free Spins, Boost Win Zone, Stretching Wild	
Tirol Fest	●	●	●	●	6	50	Free Spins, Stacked Symbols, Stacks Pay Feature	
Totems Of Riches Fury Cash	●	●	●	●	5	25 fixed	Re-Spins, Stacked Symbols, Free Spins	2
Tropical Beauties	●	●	●	●	5	40 fixed	Re-Spins, Double Symbols, Free Spins	
Thumbelina's Dream	●	●	●	●	6	225 fixed	Stacked Symbols, Stretching Wild, Free Spins	3
Valhalla Thunderstorm	●	●	●	●	5	40 fixed	Extra Wilds, Keep & Spin, Free Spins	3
Vampire King	●	●	●	●	5	REEL 243 WAYS PAY	Free Spins, Re-Spins	
Volcano Wealth	●	●	●	●	5	100 fixed	Free Spins, Stacked Symbols, Expanding Wild	

SERIES POWER

	Fruits POWER HD	Purple POWER HD	Green POWER HD	Blue POWER HD	Reel Configuration	Payline Configuration	Game Features	Games Volatility
5 Dazzling Hot	●	●	●	●	5	5 fixed	Just Reel Game, Stacked Symbols	2
5 Juggle Fruits	●	●	●	●	3	5 fixed	Free Spins, Stacked Symbols	3
10 Crystal Wish	●	●	●	●	5	10 fixed	Just Reel Game, Re-Spins, Expanding Wild	
10 Joker Burst	●	●	●	●	5	10 fixed	Just Reel Game, Re-Spins, Expanding Wild	
10 Burning Heart	●	●	●	●	5	10 fixed	Just Reel Game, Stacked Symbols, Expanding Wild	2
10 Shining Diamond	●	●	●	●	5	10 fixed	Just Reel Game, Stacked Symbols, Expanding Wild	
20 Burning Hot	●	●	●	●	5	20 fixed	Just Reel Game, Stacked Symbols, Expanding Wild	2
20 Burning Hot Cash Heat	●	●	●	●	5	20 fixed	Keep & Spin, Stacked Symbols, Expanding Wild	
20 Charming Joker	●	●	●	●	5	20 fixed	Just Reel Game, Stacked Symbols	2
20 Dazzling Hot	●	●	●	●	5	20 fixed	Just Reel Game, Stacked Symbols	3
20 Hot Blast	●	●	●	●	5	20 fixed	Just Reel Game, Toppling Reels, Expanding Wild	3
20 Joker Reels	●	●	●	●	5	20 fixed	Just Reel Game, Stacked Symbols	2
20 Super Hot	●	●	●	●	5	20 fixed	Just Reel Game, Stacked Symbols	1
20 Super Hot Dazzle Cash	●	●	●	●	5	20 fixed	Just Reel Game, Stacked Symbols	
20 Super Hot Epic Cash	●	●	●	●	5	20 fixed	Just Reel Game, Stacked Symbols	
27 Wins	●	●	●	●	3	REEL 27 WAYS PAY	Just Reel Game, Stacked Symbols	2
27 Fruit Ways	●	●	●	●	3	REEL 27 WAYS PAY	Just Reel Game, Stacked Symbols	
30 Spicy Fruits	●	●	●	●	5	30 fixed	Free Spins, Stacked Symbols	2
40 Burning Hot	●	●	●	●	5	40 fixed	Just Reel Game, Stacked Symbols, Expanding Wild	3
40 Burning Hot 6 reels	●	●	●	●	6	40 fixed	Just Reel Game, Stacked Symbols, Expanding Wild	
40 Charming Joker	●	●	●	●	5	40 fixed	Just Reel Game, Stacked Symbols	
40 Extra Stars	●	●	●	●	5	40 fixed	Just Reel Game, Expanding Wild, Re-Spins	3
40 Hot & Cash	●	●	●	●	5	40 fixed	Just Reel Game, Stacked Symbols, Stretching Wild	2
40 Joker Reels	●	●	●	●	5	40 fixed	Just Reel Game, Stacked Symbols	2

SERIES POWER

	Fruits POWER HD	Purple POWER HD	Green POWER HD	Blue POWER HD	Reel Configuration	Payline Configuration	Game Features	Games Volatility
40 Lucky King	●	●	●	●	5	40 fixed	Just Reel Game, Stacked Symbols	2
40 Mega Clover	●	●	●	●	5	40 fixed	Just Reel Game, Stacked Symbols	2
40 Shining Crown	●	●	●	●	5	40 fixed	Just Reel Game, Stacked Symbols, Expanding Wild	3
40 Super Hot	●	●	●	●	5	40 fixed	Just Reel Game, Stacked Symbols	1
40 Ultra Respin	●	●	●	●	5	40 fixed	Just Reel Game, Stacked Symbols, Re-Spins	4
50 Amazons' Battle	●	●	●	●	5	50	Free Spins, Stacked Symbols	2
50 Hot Blast	●	●	●	●	5	50 fixed	Just Reel Game, Toppling Reels, Expanding Wild	3
50 Mega Clover	●	●	●	●	5	50 fixed	Just Reel Game, Stacked Symbols	2
50 Spicy Fruits	●	●	●	●	5	50 fixed	Free Spins, Stacked Symbols	2
81 Wins	●	●	●	●	4	REEL 81 WAYS PAY	Just Reel Game, Stacked Symbols	3
100 Burning Hot	●	●	●	●	5	100 fixed	Just Reel Game, Stacked Symbols, Expanding Wild	3
100 Flaming Hot	●	●	●	●	5	100 fixed	Just Reel Game, Stacked Symbols	3
100 Lucky Hat	●	●	●	●	5	100 fixed	Just Reel Game, Stacked Symbols, Expanding Wild	2
100 Super Hot	●	●	●	●	5	100 fixed	Just Reel Game, Stacked Symbols	1
100 Super Hot 6 Reels	●	●	●	●	6	100 fixed	Just Reel Game, Stacked Symbols	
Almighty Ramses II	●	●	●	●	5	20 fixed	Free Spins, Stacked Symbols, Moving Symbols	3
Almighty Ramses II both ways	●	●	●	●	5	20 fixed	Free Spins, Stacked Symbols, Moving Symbols	
Almighty Realm	●	●	●	●	5	40 fixed	Free Spins, Double Symbols, Re-Spins	
Amazing China	●	●	●	●	6	REEL 4096 WAYS PAY	Free Spins, Stacked Symbols	
Amazons' Battle	●	●	●	●	5	30	Free Spins, Stacked Symbols	2
Amazons' Battle 6 reels	●	●	●	●	6	80	Free Spins, Stacked Symbols	
Ancient Dynasty	●	●	●	●	5	30	Free Spins, Stacked Symbols	2
Blue Heart	●	●	●	●	5	100	Free Spins, Stacked Wild	2
Book of Magic Dazzle Cash	●	●	●	●	5	20 fixed	Free Spins	

SERIES POWER

	Fruits POWER HD	Purple POWER HD	Green POWER HD	Blue POWER HD	Reel Configuration	Payline Configuration	Game Features	Games Volatility
Book of Realm				●	5	10	Free Spins, Expanding Symbol	
Burning Hot	●	●	●	●	5	5 fixed	Just Reel Game, Stacked Symbols, Expanding Wild	2
Burning Hot 6 reels	●		●		6	5 fixed	Just Reel Game, Stacked Symbols, Expanding Wild	
Burning Hot Epic Cash			●		5	5 fixed	Just Reel Game, Stacked Symbols, Expanding Wild	
Burning Hot Extreme				●	5	5 fixed	Free Spins, Stacked Symbols, Expanding Wild	
Caramel Hot	●				5	30 fixed	Just Reel Game, Stacked Symbols	2
Cats' Story			●		5	40 fixed	Free Spins, Double Symbols, Re-Spins	
Cats Royal				●	5	20	Free Spins	4
Chinese Garden				●	5	REEL 243 WAYS PAY	Free Spins	
Circus Brilliant				●	5	20	Free Spins	3
Dice & Roll	●	●		●	5	10 fixed	Just Reel Game, Stacked Symbols, Stretching Wild	4
Dorothy's Fairyland		●			5	30	Free Spins, Stacked Symbols	2
Eastern Carnival			●		5	20 fixed	Free Spins, Stacked Symbols, Re-Spins	
Eastern Legends		●			5	REEL 576 WAYS PAY	Re-Spins, Twin Feature, Free Spins	
Egypt Sky				●	5	40	Free Spins, Expanding Wild, Freezing Wild	3
El Amigo		●			5	40	Free Spins, Cluster Wins, Re-Spins	
Emperor's Palace			●	●	5	30	Free Spins, Stacked Symbols	2
Extra Stars	●		●		5	10 fixed	Just Reel Game, Expanding Wild, Re-spins	3
Extremely Hot	●				5	5 fixed	Just Reel Game, Stacked Symbols	3
Flaming Hot	●	●	●	●	5	40 fixed	Just Reel Game, Stacked Symbols	2
Flaming Hot 6 reels	●	●	●		6	40 fixed	Just Reel Game, Stacked Symbols	
Flaming Hot Extreme	●		●	●	5	40 fixed	Free Spins, Stacked Symbols, Re-Spins	
Forest Whisper			●		5	REEL 243/1024/3125 WAYS PAY	Free Spins, Re-Spins	
Fruits Kingdom	●			●	5	10	Free Spins	4

SERIES POWER

	Fruits POWER HD	Purple POWER HD	Green POWER HD	Blue POWER HD	Reel Configuration	Payline Configuration	Game Features	Games Volatility
Flower Land		●			5	40 fixed	Free Spins, Stacked Symbols, Re-Spins	
Frog Story		●			5	20 fixed	Just Reel Game, Expanding Wild, Toppling Reels	3
Fury Princess			●		5	40 fixed	Free Spins, Stacked Symbols, Re-Spins	
Gangster's Cash		●			5+1	25 fixed	Free Spins, Stacked Symbols, Special Target Zone	
Genie's Temple		●		●	5	20 fixed	Free Spins, Mirror Feature, Expanding Wild	
Glorious Hidalgo		●			5	REEL 243 WAYS PAY	Free Spins, Stacked Symbols, Twin Feature	
Gold Keeper				●	5	20 fixed	Free Spins, Stacked Symbols, Moving Wild	
Golden Eternity		●			5	40	Free Spins, Stacked Symbols, Freezing Wild	
Great 27	●				3	REEL 27 WAYS PAY	Free Spins, Stacked Symbols	3
Great Empire		●			5	10	Free Spins, Expanding Wild, Freezing Wild	4
Heroic Victory Epic Cash			●		5	25 fixed	Free Spins, Stacked Wild	
Hot & Cash	●				5	20 fixed	Just Reel Game, Stacked Symbols, Stretching Wild	3
Ice Valley			●		5	XTRA REEL 1024 WAYS PAY	Free Spins, Boost Win Zone, Stretching Wild	
Irish Charm		●	●		5+1	5 fixed	Just Reel Game, Stacked Symbols, Expanding Wild	
Irish Treasure		●			5	40 fixed	Free Spins, Stacked Symbols, Re-Spins	
Karnak Treasure				●	5	25 fixed	Free Spins, Expanding Symbol, Re-Spins	
Knights Heart			●		6	50	Free Spins, Stacked Symbols, Stacked Wild	
Leprechaun Hot	●	●			5	5 fixed	Just Reel Game, Stacked Symbols, Expanding Wild	
Lucky Hot	●				3	5 fixed	Just Reel Game, Stacked Symbols	2
Lucky & Wild	●				5	20 fixed	Just Reel Game, Stacked Symbols, Stretching Wild	3
Lucky Food		●	●		5	20 fixed	Free Spins, Expanding Wild	
Lucky Wood			●		5	REEL 243 WAYS PAY	Just Reel Game, Stacked Symbols, Toppling Reels	
Luxury Hot				●	5	10 fixed	Just Reel Game, Stacked Symbols, Stacked Wild	
Mighty Sparta Epic Cash		●	●	●	5	25 fixed	Free Spins, Stacked Wild	

	Fruits POWER HD	Purple POWER HD	Green POWER HD	Blue POWER HD	Reel Configuration	Payline Configuration	Game Features	Games Volatility
more Dice & Roll	●	●			5	40 fixed	Just Reel Game, Stacked Symbols, Stretching Wild	2
more Lucky & Wild	●				5	40 fixed	Just Reel Game, Stacked Symbols, Stretching Wild	3
Mythical Treasure			●		5	25	Just Reel Game, Stacked Symbols, Toppling Reels	2
Mystic Desert				●	5	100 fixed	Free Spins, Stacked Symbols, Expanding Wild	
Olympus Glory				●	5	10	Free Spins, Expanding Symbol	5
Penguin Style				●	5	20 fixed	Free Spins, Stacked Wild, Freezing Wild	3
Pin Up Queens		●			5	30 fixed	Free Spins, Stacked Symbols	2
Rainbow Luck			●		5	25 fixed	Free Spins, Boost Win Zone, Stretching Wild	
Rainbow Queen		●			5	30	Free Spins, Extra Wilds	3
Retro Cabaret			●		5	30 fixed	Free Spins, Stacked Symbols	2
Retro Cabaret 6 reels			●		6	100	Free Spins, Stacked Symbols	
Rise of Ra		●	●	●	5	15	Free Spins	4
Secrets of Alchemy				●	5	25	Free Spins, Stacked Symbols, Toppling Reels	2
Shining Crown	●	●	●	●	5	10 fixed	Just Reel Game, Stacked Symbols, Expanding Wild	2
Shining Crown Cash Heat				●	5	10 fixed	Keep & Spin, Stacked Symbols, Expanding Wild	
Shining Grace			●		5	REEL 243 WAYS PAY	Free Spins, Re-Spins	
Spinning Crown				●	5	10 fixed	Free Spins, Stacked Symbols	
Stars Respin				●	3	5 fixed	Free Spins, Stacked Symbols, Re-Spins	
Super 20	●				5	20 fixed	Just Reel Game, Stacked Symbols	1
Sweetie Dogs		●			5	REEL 256/512/1024 WAYS PAY	Free Spins, Stacked Symbols, Re-Spins	
Sugartime				●	6	SCATTER PAYS	Free Spins, Stacked Symbols, Toppling Reels, Buy Free Spins	
Supreme Hot	●			●	3	REEL 27 WAYS PAY	Just Reel Game, Stacked Symbols	2

	Fruits POWER HD	Purple POWER HD	Green POWER HD	Blue POWER HD	Reel Configuration	Payline Configuration	Game Features	Games Volatility
The Great Exploit Shiny Cash			●		5	REEL 243 WAYS PAY	Free Spins, Stacked Symbols	
The Story of Alexander		●			5	50	Free Spins, Stacked Symbols, Freezing Wild	3
The Wild Griffin				●	5	25 fixed	Free Spins, Boost Win Zone, Stretching Wild	
Tirol Fest			●	●	6	50	Free Spins, Stacked Symbols, Stacks Pay Feature	
Totems of Riches				●	5	25 fixed	Free Spins, Stacked Symbols, Re-Spins	
Tropical Beauties			●		5	40 fixed	Free Spins, Double Symbols, Re-Spins	
Ultimate Hot	●				3	5 fixed	Just Reel Game	1
Vampire Night			●	●	5	5 fixed	Just Reel Game, Stacked Symbols, Expanding Wild	
Versailles Gold		●	●	●	5	10	Free Spins, Expanding Symbol	4
Volcano Wealth			●		5	100 fixed	Free Spins, Stacked Symbols, Expanding Wild	
Wealth Palace			●		5	REEL 243 WAYS PAY REEL 576 WAYS PAY	Free Spins	
Zodiac Wheel		●		●	5	5 fixed	Just Reel Game, Stacked Symbols, Expanding Wild	2
Baccarat			●	●				
European Roulette Stand-alone	●	●	●	●				
European Roulette Automatic Full & Resizable Stream			●	●				
European Roulette Virtual Wheel	●	●						
European Roulette Automatic	●	●						
American Roulette Automatic Full & Resizable Stream			●	●				
American Roulette Stand-alone			●	●				
Extra Star Blackjack			●	●				
Keno Universe	●	●	●	●				
Star Blackjack	●	●	●	●				

SERIES COLLECTION

	Gold COLLECTION HD	Purple COLLECTION	Union COLLECTION	Fruits COLLECTION 2	Orange COLLECTION	Green COLLECTION	Red COLLECTION	Reel Configuration	Payline Configuration	Game Features	Games Volatility
5 Burning Heart								5	5 fixed	Just Reel Game, Stacked Symbols, Expanding Wild	3
5 Dazzling Hot	●	●	●	●	●	●	●	5	5 fixed	Just Reel Game, Stacked Symbols	2
5 Great Star				●	●	●	●	5	5 fixed	Just Reel Game, Stacked Symbols	2
5 Juggle Fruits			●	●	●	●	●	3	5 fixed	Free Spins, Stacked Symbols	3
10 Burning Heart				●	●	●	●	5	10 fixed	Just Reel Game, Stacked Symbols, Expanding Wild	2
20 Burning Hot	●	●	●	●	●	●	●	5	20 fixed	Just Reel Game, Stacked Symbols, Expanding Wild	2
20 Charming Joker				●	●	●	●	5	20 fixed	Just Reel Game, Stacked Symbols	2
20 Dazzling Hot	●	●	●	●	●	●	●	5	20 fixed	Just Reel Game, Stacked Symbols	3
20 Diamonds		●	●	●	●	●	●	5	20 fixed	Just Reel Game, Stacked Symbols	1
20 Extra Stars				●	●	●	●	5	20 fixed	Just Reel Game, Expanding Wild, Re-spins	3
20 Hot Blast	●	●	●	●	●	●	●	5	20 fixed	Just Reel Game, Expanding Wild, Toppling Reels	3
20 Joker Reels	●	●	●	●	●	●	●	5	20 fixed	Just Reel Game, Stacked Symbols	2
20 Super Hot	●	●	●	●	●	●	●	5	20 fixed	Just Reel Game, Stacked Symbols	1
27 Wins				●	●	●	●	3	REEL 27 WAYS PAY	Just Reel Game, Stacked Symbols	2
30 Spicy Fruits	●	●	●	●	●	●	●	5	30 fixed	Free Spins, Stacked Symbols	2
30 Summer Bliss		●	●	●	●	●	●	5	30 fixed	Free Spins, Extra Wilds, Re-Spins	
40 Almighty Ramses II		●	●	●	●	●	●	5	40 fixed	Free Spins, Stacked Symbols, Moving Symbols	
40 Burning Hot	●	●	●	●	●	●	●	5	40 fixed	Just Reel Game, Stacked Symbols, Expanding Wild	3
40 Burning Hot 6 Reels		●	●	●	●	●	●	6	40 fixed	Just Reel Game, Stacked Symbols, Expanding Wild	
40 Extra Stars				●	●	●	●	5	40 fixed	Just Reel Game, Expanding Wild, Re-spins	3
40 Hot & Cash				●	●	●	●	5	40 fixed	Just Reel Game, Stacked Symbols, Stretching Wild	2
40 Joker Reels				●	●	●	●	5	40 fixed	Just Reel Game, Stacked Symbols	2
40 Lucky King	●	●	●	●	●	●	●	5	40 fixed	Just Reel Game, Stacked Symbols	2
40 Mega Clover	●	●	●	●	●	●	●	5	40 fixed	Just Reel Game, Stacked Symbols	2
40 Shining Crown				●	●	●	●	5	40 fixed	Just Reel Game, Stacked Symbols, Expanding Wild	3

SERIES COLLECTION

	Gold COLLECTION HD	Purple COLLECTION	Union COLLECTION	Fruits COLLECTION 2	Orange COLLECTION	Green COLLECTION	Red COLLECTION	Reel Configuration	Payline Configuration	Game Features	Games Volatility
40 Super Hot	●	●	●	●	●	●	●	5	40 fixed	Just Reel Game, Stacked Symbols	1
40 Ultra Respin		●	●	●	●	●	●	5	40 fixed	Just Reel Game, Stacked Symbols, Re-Spins	4
50 Amazons' Battle	●	●	●	●	●	●	●	5	50	Free Spins, Stacked Symbols	2
50 Horses				●	●	●	●	5	50	Free Spins, Stacked Wild	2
50 Hot Blast				●	●	●	●	5	50 fixed	Just Reel Game, Expanding Wild, Toppling Reels	3
50 Mega Clover				●	●	●	●	5	50 fixed	Just Reel Game, Stacked Symbols	2
50 Spicy Fruits			●	●	●	●	●	5	50 fixed	Free Spins, Stacked Symbols	2
81 Wins				●	●	●	●	4	REEL 81 WAYS PAY	Just Reel Game, Stacked Symbols	3
100 Burning Hot	●	●	●	●	●	●	●	5	100 fixed	Just Reel Game, Stacked Symbols, Expanding Wild	3
100 Flaming Hot	●			●	●	●	●	5	100 fixed	Just Reel Game, Stacked Symbols	3
100 Lucky Hat				●	●	●	●	5	100 fixed	Just Reel Game, Stacked Symbols	2
100 Super Hot	●	●	●	●	●	●	●	5	100 fixed	Just Reel Game, Stacked Symbols	1
Action Money				●	●	●	●	5	20	Free Spins, Extra Wild	3
Age of Troy			●	●	●	●	●	5	20	Free Spins, Stacked Wild	5
Almighty Ramses II	●	●	●	●	●	●	●	5	20 fixed	Free Spins, Stacked Wild, Moving Symbols	3
Almighty Ramses II bw	●			●	●	●	●	5	20 fixed	Free Spins, Stacked Wild, Moving Symbols	
Amazing Amazonia				●	●	●	●	5	10	Free Spins	4
Amazing China	●			●	●	●	●	6	XTRA REEL 4096 WAYS PAY	Free Spins, Stacked Symbols	
Amazons' Battle	●	●	●	●	●	●	●	5	30	Free Spins, Stacked Symbols	2
Amazons' Battle 6 reels	●			●	●	●	●	6	80	Free Spins, Stacked Symbols	
Ancient Dynasty		●	●	●	●	●	●	5	30	Free Spins, Stacked Symbols	2
Blue Heart	●		●	●	●	●	●	5	100	Free Spins, Stacked Wild	2
Blue Oceans		●	●	●	●	●	●	5	20	Free Spins, Stacked Symbols, Expanding Wild	
Book of Magic			●	●	●	●	●	5	20	Free Spins	4
Brave Cat			●	●	●	●	●	5	40 fixed	Free Spins, Stacked Symbols, Double Scatter	3

SERIES COLLECTION

	Gold COLLECTION HD	Purple COLLECTION	Union COLLECTION	Fruits COLLECTION 2	Orange COLLECTION	Green COLLECTION	Red COLLECTION	Reel Configuration	Payline Configuration	Game Features	Games Volatility
Burning Hot	●	●	●	●	●	●	●	5	5 fixed	Just Reel Game, Stacked Symbols, Expanding Wild	2
Burning Hot 6 Reels	●	●	●	●	●	●	●	6	5 fixed	Just Reel Game, Stacked Symbols, Expanding Wild	
Captain Nemo's Journey	●	●	●	●	●	●	●	5+1	40	Free Spins, Stacked Wild	2
Caramel Hot	●	●	●	●	●	●	●	5	30 fixed	Just Reel Game, Stacked Symbols	2
Cats Royal	●	●	●	●	●	●	●	5	20	Free Spins	4
Circus Brilliant	●	●	●	●	●	●	●	5	20	Free Spins	3
Coral Island	●	●	●	●	●	●	●	5	10	Free Spins	4
Dice & Roll	●	●	●	●	●	●	●	5	10 fixed	Just Reel Game, Stacked Symbols, Stretching Wild	4
Dice High	●	●	●	●	●	●	●	5	20 fixed	Stacked Symbols, Pick Up Bonus	3
Dorothy's Fairyland	●	●	●	●	●	●	●	5	30	Free Spins, Stacked Symbols	2
Dragon Reborn	●	●	●	●	●	●	●	5	20	Free Spins, Extra Wild	3
Dragon Reels	●	●	●	●	●	●	●	5	25	Free Spins	3
Eastern Legends	●	●	●	●	●	●	●	5	3x4x4x4x3	Free Spins, Twin Feature, Re-Spins	
Egypt Sky	●	●	●	●	●	●	●	5	40	Free Spins, Expanding Wild, Freezing Wild	3
El Amigo	●	●	●	●	●	●	●	5	40 fixed	Free Spins, Cluster Wins, Re-Spins	
Emperor's Palace	●	●	●	●	●	●	●	5	30	Free Spins, Stacked Symbols	2
Empress Charm	●	●	●	●	●	●	●	5	25	Free Spins	
Eternal Lotus	●	●	●	●	●	●	●	5	REEL 243 WAYS PAY	Free Spins, Stacked Symbols	
Extra Stars	●	●	●	●	●	●	●	5	10 fixed	Just Reel Game, Expanding Wild, Re-Spins	3
Extremely Hot	●	●	●	●	●	●	●	5	5 fixed	Just Reel Game, Stacked Symbols	3
Flaming Hot	●	●	●	●	●	●	●	5	40 fixed	Just Reel Game, Stacked Symbols	2
Flaming Hot 6 reels	●	●	●	●	●	●	●	6	40 fixed	Just Reel Game, Stacked Symbols	
Flaming Hot Extreme	●	●	●	●	●	●	●	5	40 fixed	Free Spins, Stacked Symbols, Re-Spins	
Flower Land	●	●	●	●	●	●	●	5	40 fixed	Free Spins, Stacked Symbols, Re-Spins	
Forest Tale	●	●	●	●	●	●	●	5	15	Free Spins	2

SERIES COLLECTION

	Gold COLLECTION HD	Purple COLLECTION	Union COLLECTION	Fruits COLLECTION 2	Orange COLLECTION	Green COLLECTION	Red COLLECTION	Reel Configuration	Payline Configuration	Game Features	Games Volatility
Fortune Spells	●	●	●	●	●	●	●	5	10	Free Spins, Expanding Symbol	4
Frog Story	●	●	●	●	●	●	●	5	20 fixed	Just Reel Game, Expanding Wild, Toppling Reels	3
Fruits Kingdom	●	●	●	●	●	●	●	5	10	Free Spins	4
Fujiyama	●	●	●	●	●	●	●	5	REEL 243 WAYS PAY	Free Spins, Swap Feature	3
Game of Luck	●	●	●	●	●	●	●	5	20 fixed	Just Reel Game, Stacked Symbols, Stretching Wild	3
Gangster's Cash	●	●	●	●	●	●	●	5+1	25 fixed	Free Spins, Stacked Symbols, Special Target Zone	
Genius of Leonardo	●	●	●	●	●	●	●	5	30	Free Spins, Expanding Wild	3
Genie's Temple	●	●	●	●	●	●	●	5	20 fixed	Free Spins, Mirror Feature, Expanding Wild	
Glorious Hidalgo	●	●	●	●	●	●	●	5	REEL 243 WAYS PAY	Free Spins, Stacked Symbols, Twin Feature	
Gold Dust	●	●	●	●	●	●	●	5	20	Free Spins, Pick Up Bonus	4
Golden Eternity	●	●	●	●	●	●	●	5	40	Free Spins, Stacked Symbols, Freezing Wild	
Great 27	●	●	●	●	●	●	●	3	REEL 27 WAYS PAY	Free Spins, Stacked Symbols	3
Great Empire	●	●	●	●	●	●	●	5	10	Free Spins, Expanding Wild, Freezing Wild	4
Halloween	●	●	●	●	●	●	●	5	20	Free Spins, Extra Wilds	2
Hot & Cash	●	●	●	●	●	●	●	5	20 fixed	Just Reel Game, Stacked Symbols, Stretching Wild	3
Ice Valley	●	●	●	●	●	●	●	5	XTRA REEL 1024 WAYS PAY	Free Spins, Boost Win Zone, Stretching Wild	
Imperial Wars	●	●	●	●	●	●	●	5	20	Free Spins, Expanding Wild, Freezing Wild	3
Irish Charm	●	●	●	●	●	●	●	5+1	5 fixed	Just Reel Game, Stacked Symbols, Expanding Wild	
Irish Treasure	●	●	●	●	●	●	●	5	40 fixed	Free Spins, Stacked Symbols, Re-Spins	
Kangaroo Land	●	●	●	●	●	●	●	5	20	Free Spins, Stacked Wild, Re-Spins	3
Knights Heart	●	●	●	●	●	●	●	6	50	Free Spins, Stacked Wild, Stacked Symbols	
Legendary Rome	●	●	●	●	●	●	●	5	20	Free Spins	3
Leprechaun Hot	●	●	●	●	●	●	●	5	5 fixed	Just Reel Game, Stacked Symbols, Expanding Wild	
Like a Diamond	●	●	●	●	●	●	●	5	20 fixed	Just Reel Game, Stacked Symbols, Stretching Wild	3
Lucky & Wild	●	●	●	●	●	●	●	5	20 fixed	Just Reel Game, Stacked Symbols, Stretching Wild	3

SERIES COLLECTION

	Gold COLLECTION HD	Purple COLLECTION	Union COLLECTION	Fruits COLLECTION 2	Orange COLLECTION	Green COLLECTION	Red COLLECTION	Reel Configuration	Payline Configuration	Game Features	Games Volatility
Lucky Cats						●		5	10	Free Spins	4
Lucky Food	●							5	20 fixed	Free Spins, Expanding Wild	
Lucky Hot			●	●	●	●		3	5 fixed	Just Reel Game, Stacked Symbols	2
Lucky Wood		●						5	REEL 243 WAYS PAY	Just Reel Game, Stacked Symbols, Toppling Reels	
Magic Guardians		●						5	25	Free Spins, Stacked Symbols	
Majestic Forest						●		5	10	Free Spins, Expanding Symbol	5
Mighty Sparta	●							5	25 fixed	Stacked Wild, Free Spins	
more Dice & Roll	●			●	●	●		5	40 fixed	Just Reel Game, Stacked Symbols, Stretching Wild	2
more Like a Diamond						●		5	40 fixed	Just Reel Game, Stacked Symbols, Stretching Wild	2
more Lucky & Wild				●	●	●		5	40 fixed	Just Reel Game, Stacked Symbols, Stretching Wild	3
Mythical Treasure		●						5	25	Free Spins, Stacked Symbols, Toppling Reels	2
Ocean Rush			●		●		●	5	15	Free Spins	2
Oil Company II					●			5	40	Free Spins, Stacked Wild	2
Olympus Glory					●	●		5	10	Free Spins, Expanding Symbol	5
Penguin Style					●			5	20 fixed	Free Spins, Stacked Wild, Freezing Wild	3
Pin Up Queens	●	●	●				●	5	30 fixed	Free Spins, Stacked Symbols	2
Rainbow Luck		●						5	25 fixed	Free Spins, Boost Win Zone, Stretching Wild	
Rainbow Queen	●					●		5	30	Free Spins, Extra Wilds	3
Retro Cabaret		●						5	30 fixed	Free Spins, Stacked Symbols	
Rise of Ra	●	●	●		●	●	●	5	15	Free Spins	4
Royal Secrets					●	●		5	10 fixed	Just Reel Game, Stacked Symbols, Expanding Wild	2
Secrets of Alchemy			●		●	●	●	5	25	Free Spins, Stacked Symbols, Toppling Reels	2
Shining Crown	●	●	●	●	●	●	●	5	10 fixed	Just Reel Game, Stacked Symbols, Expanding Wild	2
Spanish Passion					●	●		5	20	Free Spins, Extra Wilds	3
Super 20				●				5	20 fixed	Just Reel Game, Stacked Symbols	1

SERIES COLLECTION

	Gold COLLECTION HD	Purple COLLECTION	Union COLLECTION	Fruits COLLECTION 2	Orange COLLECTION	Green COLLECTION	Red COLLECTION	Reel Configuration	Payline Configuration	Game Features	Games Volatility
Supreme Hot			●	●				3	REEL 27 WAYS PAY	Just Reel Game, Stacked Symbols	2
Sweetie Dogs	●							5	REEL 256/512/1024 WAYS PAY	Just Reel Game, Stacked Symbols, Re-Spins	
The Explorers						●		5	15	Free Spins	3
The Secrets of London						●		5	20	Free Spins, Special Symbol Free Spins	3
The Story of Alexander	●		●			●	●	5	50	Free Spins, Stacked Symbols, Freezing Wild	3
The Story of Alexander 2		●						5	50 fixed	Free Spins, Stacked Symbols, Freezing Wild	
Tirol Fest		●						6	50	Free Spins, Stacked Symbols, Stacks Pay Feature	
The White Wolf					●			5	10	Free Spins	4
Thumbelina's Dream			●		●	●	●	6	225 fixed	Free Spins, Stacked Symbols, Stretching Wild	3
Ultimate Hot			●	●	●	●		3	5 fixed	Just Reel Game	1
Vampire Night		●						5	5 fixed	Just Reel Game, Stacked Symbols, Expanding Wild	
Venezia D'Oro					●			5	REEL 243 WAYS PAY	Free Spins	3
Versailles Gold	●	●	●		●	●	●	5	10	Free Spins, Expanding Symbol	4
Volcano Wealth		●						5	100 fixed	Free Spins, Stacked Symbols, Expanding Wild	
Witches' Charm					●			5	15	Free Spins	4
Wonder Tree					●		●	5	20	Free Spins	4
Wonderheart							●	5	20	Double Wild, Free Spins	2
Zodiac Wheel	●				●	●	●	5	5 fixed	Just Reel Game, Stacked Symbols, Expanding Wild	2
European Roulette Stand-alone Virtual Wheel			●								
European Roulette Automatic Wheel			●								
European Roulette Live Wheel			●								
European Roulette Virtual Wheel			●								

The background is a solid red color with several sets of white, parallel, curved lines. One set of lines is in the top-left corner, another set is in the bottom-right corner, and a third set is in the bottom-center area, partially overlapping the word 'ACCESSORIES'.

ACCESSORIES

General Jackpot Panels

LED Panel General Big Dual-sided

- Dual-sided, LED jackpot panel
- Attractive animations, traversing all sides of the panel
- Thematic RGB illumination on top and bottom frame
- Enhanced quality stereo sound system
- Easy installation servicing
- Available with all cabinets of series General
- Display dimensions:
WxHxD: 2135 | 844 | 405 mm



AVAILABLE JACKPOTS

Gods & King Link

Bell Link

Supreme Combo Link

9 Crystal Bonanza

Sands Princess

Cai Fu Tian Jiang

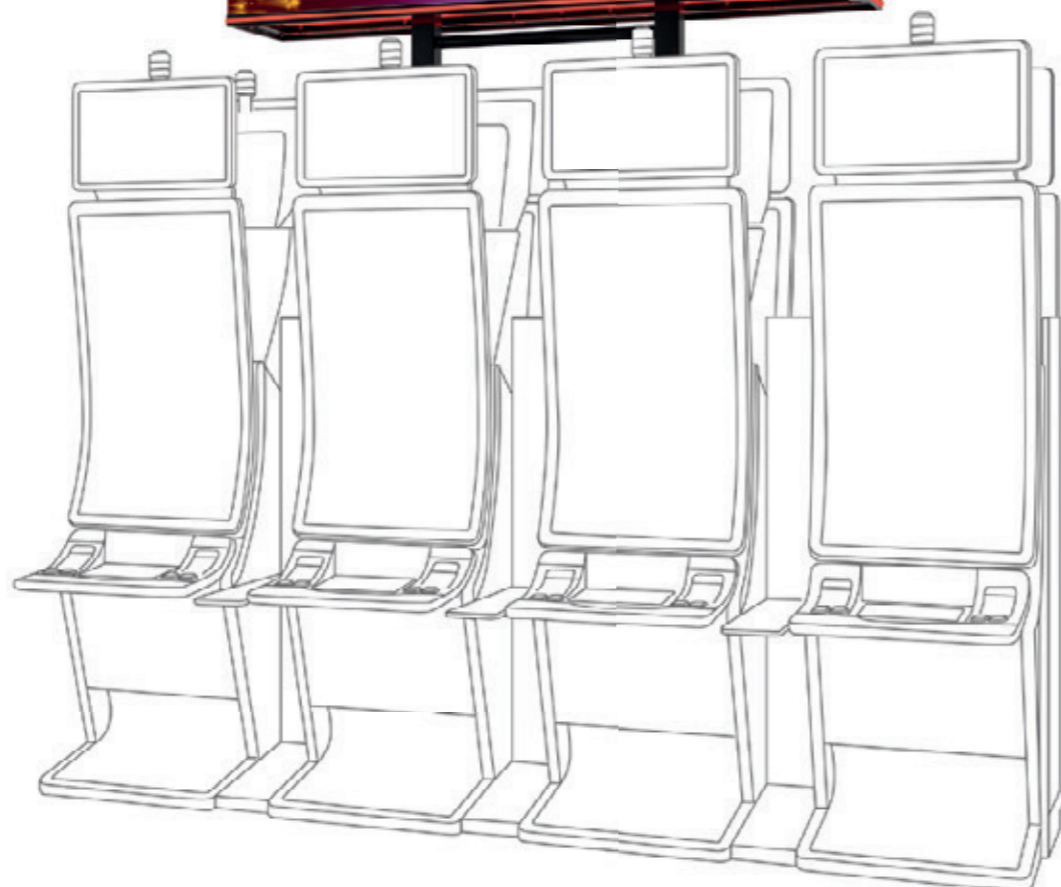
Coin Jackpot

High Cash

Jackpot Cards

Lady's Cards

Premium Link



LED Panel General Small Dual-sided

- Dual-sided, LED jackpot panel
- Attractive animations, traversing all sides of the panel
- Thematic RGB illumination on top and bottom frame
- Enhanced quality stereo sound system
- Easy installation servicing
- Available with all cabinets of series General
- Display dimensions:
WxHxD: 1366 | 844 | 405 mm



AVAILABLE JACKPOTS

Gods & King Link

Bell Link

9 Crystal Bonanza

Sands Princess

Cai Fu Tian Jiang

Coin Jackpot

High Cash

Jackpot Cards

Lady's Cards

Premium Link



General Jackpot Panels

LED Panel Rounded Large
Double | Single

- Enhanced quality stereo sound system
- Easy installation servicing
- Available with all cabinets of series General
- Display dimensions:
Double: WxHxD 2009 | 646 | 496mm
Single: WxHxD 2009 | 646 | 208mm

AVAILABLE JACKPOTS

Gods & King Link

Bell Link

Jackpot Cards



LED Panel Rounded Small
Double | Single

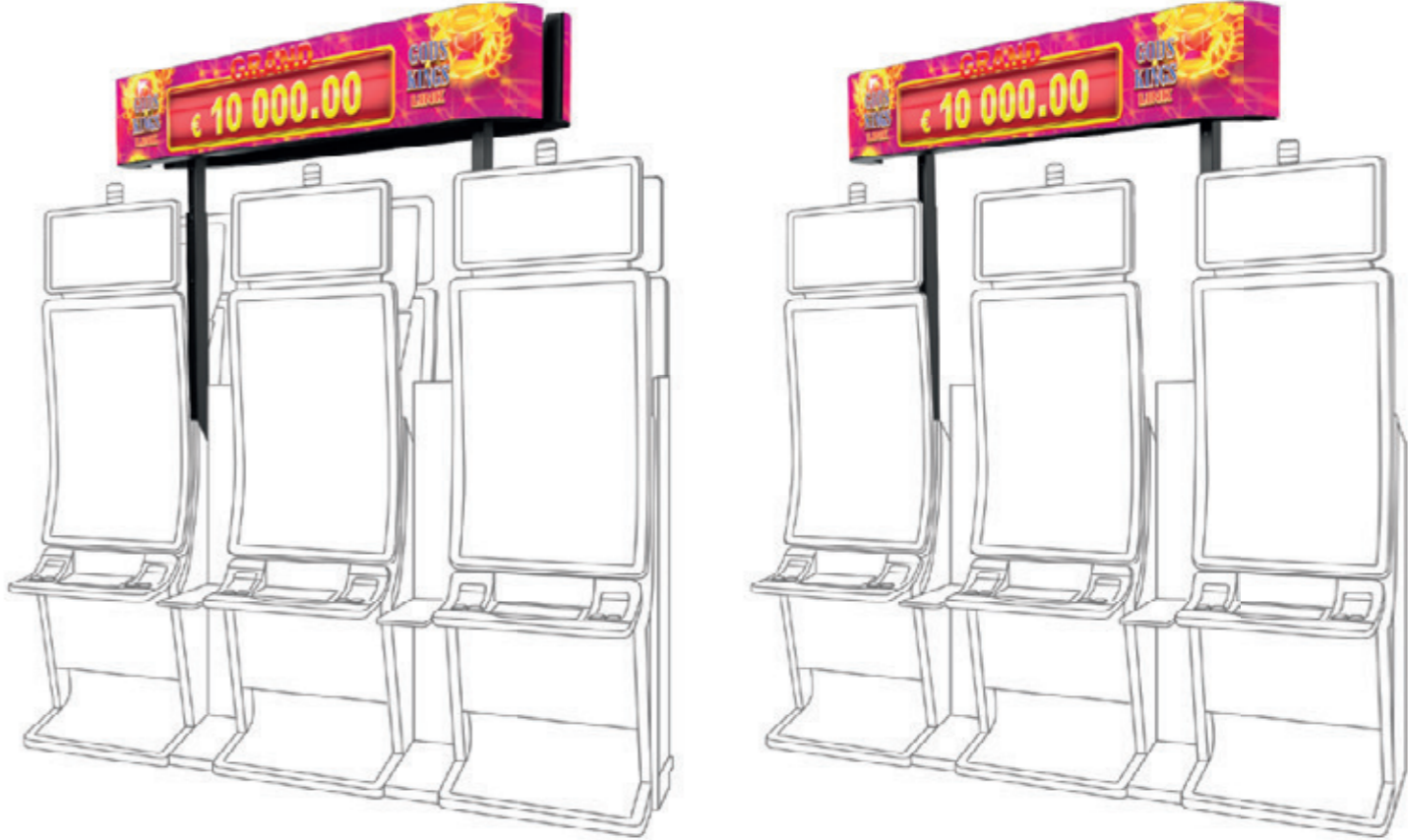
- Enhanced quality stereo sound system
- Easy installation servicing
- Available with all cabinets of series General
- Display dimensions:
Double: WxHxD 2009 | 325 | 496mm
Single: WxHxD 2009 | 325 | 207mm

AVAILABLE JACKPOTS

Gods & King Link

Bell Link

Jackpot Cards



General Jackpot Panels

LED Panel Flat Large
Double | Single

- Enhanced quality stereo sound system
- Easy installation servicing
- Available with all cabinets of series General
- Display dimensions:
Double: WxHxD 2118 | 774 | 494 mm
Single: WxHxD 2009 | 646 | 100 mm

AVAILABLE JACKPOTS

Gods & King Link

Bell Link

Jackpot Cards



LED Panel Flat Small
Double | Single

- Enhanced quality stereo sound system
- Easy installation servicing
- Available with all cabinets of series General
- Display dimensions:
Double: WxHxD 2118 | 390 | 494 mm
Single: WxHxD 2009 | 390 | 100 mm

AVAILABLE JACKPOTS

Gods & King Link

Bell Link

Jackpot Cards



General Jackpot Panels

LED Panel Oval Large

- 360° LED jackpot panel
- Elevated audio experience
- Easy-to-install and service
- Available with all cabinets of series General
- Display dimensions:
WxHxD 1847 | 642 | 407 mm

AVAILABLE JACKPOTS

- Gods & King Link
- Bell Link
- Jackpot Cards



LED Panel Oval Small

- 360° LED jackpot panel
- Elevated audio experience
- Easy-to-install and service
- Available with all cabinets of series General
- Display dimensions:
WxHxD 2007 | 321 | 407 mm

AVAILABLE JACKPOTS

- Gods & King Link
- Bell Link
- Jackpot Cards



Premier Jackpot Panel

- 55" central monitor and 32" side monitors
- Attractive RGB LED illumination alongside the panel
- Enhanced quality stereo sound system
- Overhead LED display
- Easy servicing and installation
- Available with all cabinets of series Premier
- Dimensions: WxHxD 2432 | 1122 | 332 mm



AVAILABLE JACKPOTS

Premium Link

Rainbow Jackpot Panel

- 42" or 32" monitor
- Single or dual-sided
- Attractive RGB LED illumination alongside the panel
- Enhanced quality stereo sound system
- Overhead LED display with thematic animations or 3D volumetric letters
- Easy servicing and installation
- Available with all cabinets of both series Premier and General
- Dimensions: WxHxD 1315 | 801 | 261 mm



AVAILABLE JACKPOTS

Gods & King Link

Bell Link

9 Crystal Bonanza

Sands Princess

Cai Fu Tian Jiang

Coin Jackpot

High Cash

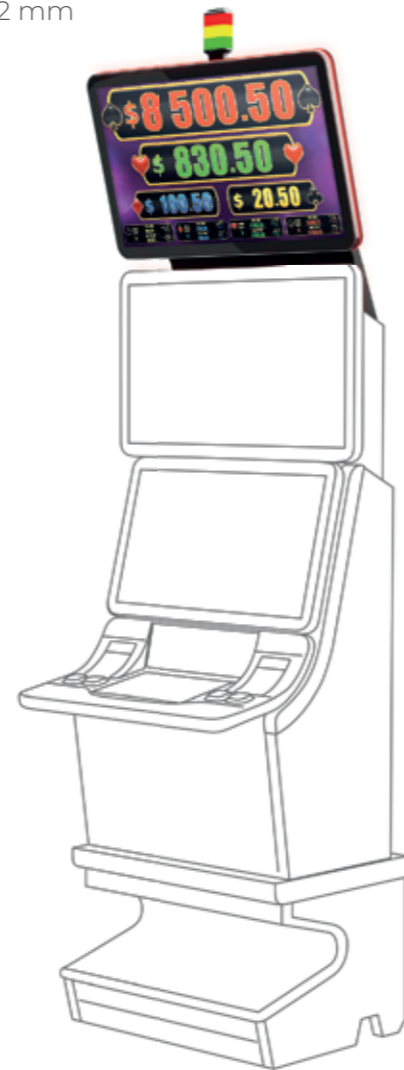
Jackpot Cards

Lady's Cards

Premium Link

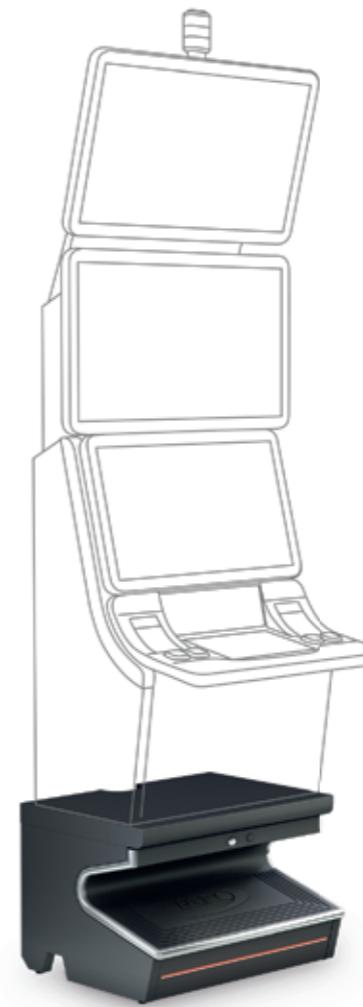
General Toppers

- 27" or 32" high-resolution monitor
- Attractive lighting and appearance that follows the General cabinets design line
- Available for playing attractive, grabbing the attention movies
- Option for displaying jackpots
- 32": WxH 765,5x935,1 mm
- 27": WxH 663x821,2 mm



General Base

- Ergonomic shape
- Appearance that follows the General series cabinets design line
- Attractive lighting
- Step for player's comfort
- Suitable for a single machine as well as for a group of machines
- An optional cashbox can be installed
- WxHxD 660x429,7x521,9 mm



Bank End Advertising

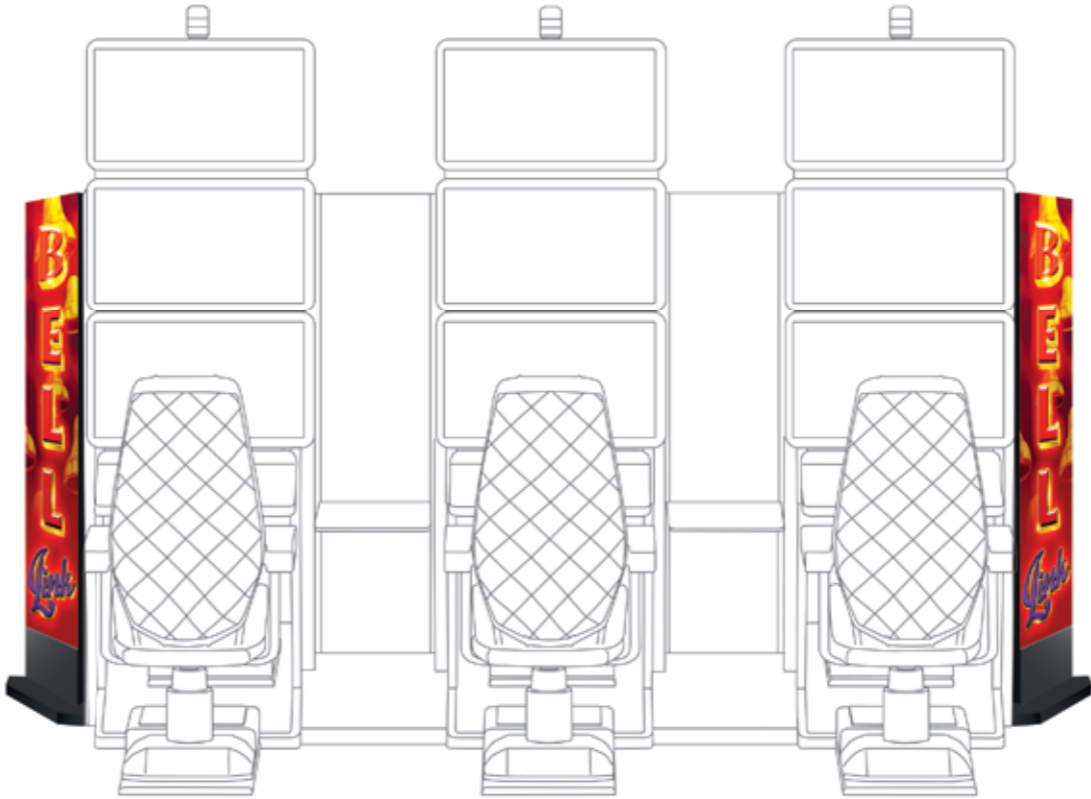
Slant top / Upright & VIP cabinets

- Design that follows the General panels & cabinets main concept
- Created to grab the attention with its attractive animations
- Bank End Advertising Slant top
WxH 388x1669 mm
- Bank End Advertising Upright/VIP
WxH 388x1777 mm



Slant top & VIP cabinets 45°

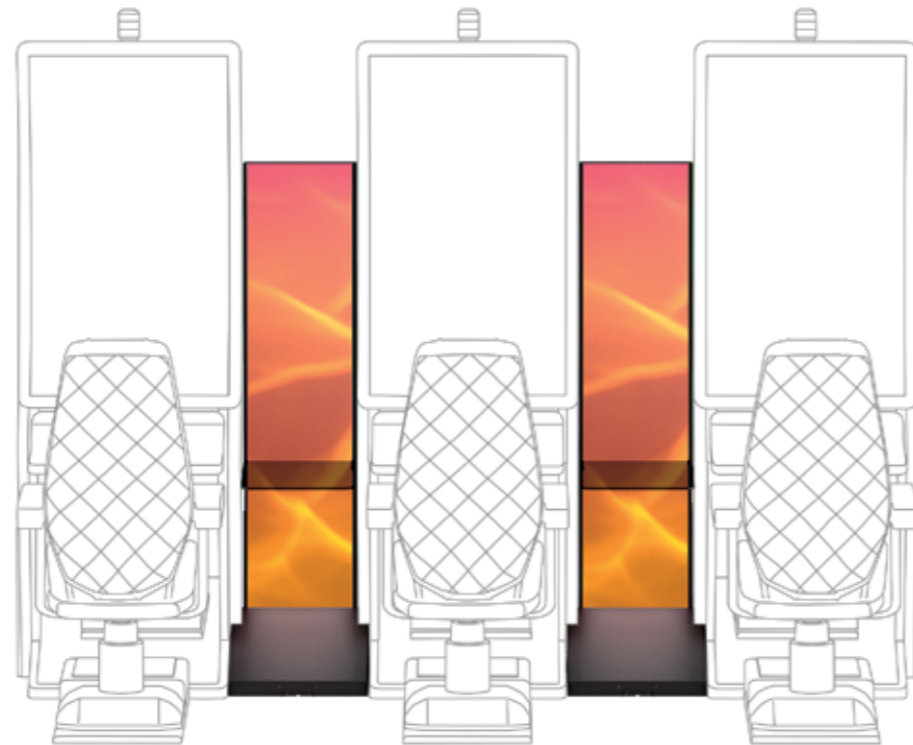
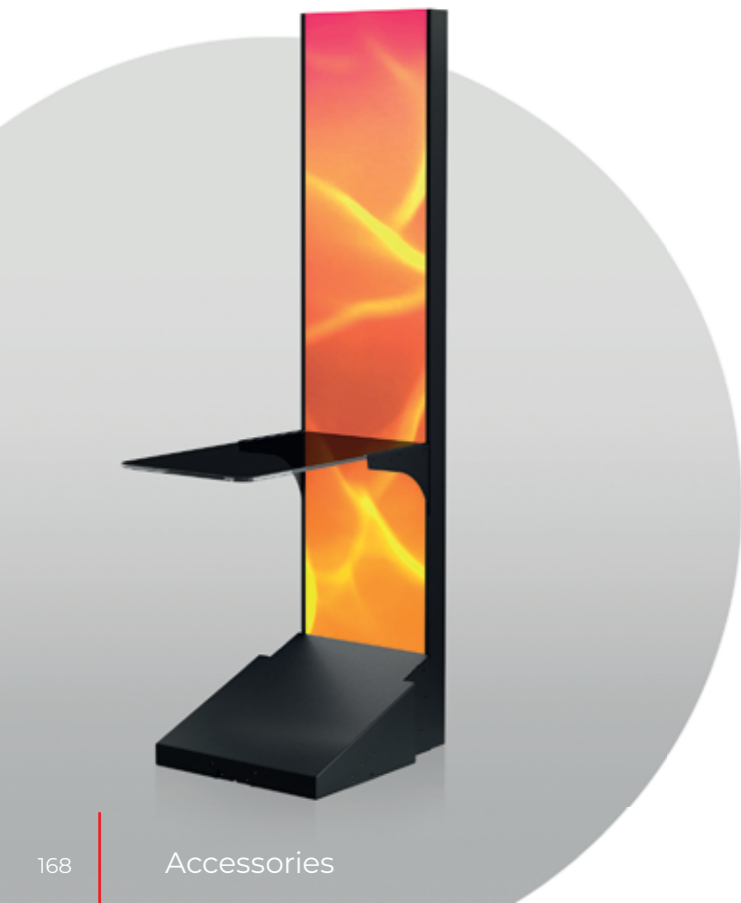
- Design that follows the General panels & cabinets main concept
- Created to grab the attention with its attractive animations
- Bank End Advertising Slant top
WxH 210x1670 mm
- Bank End Advertising VIP cabinet
WxH 477x1845 mm



Shelf Space Accessories

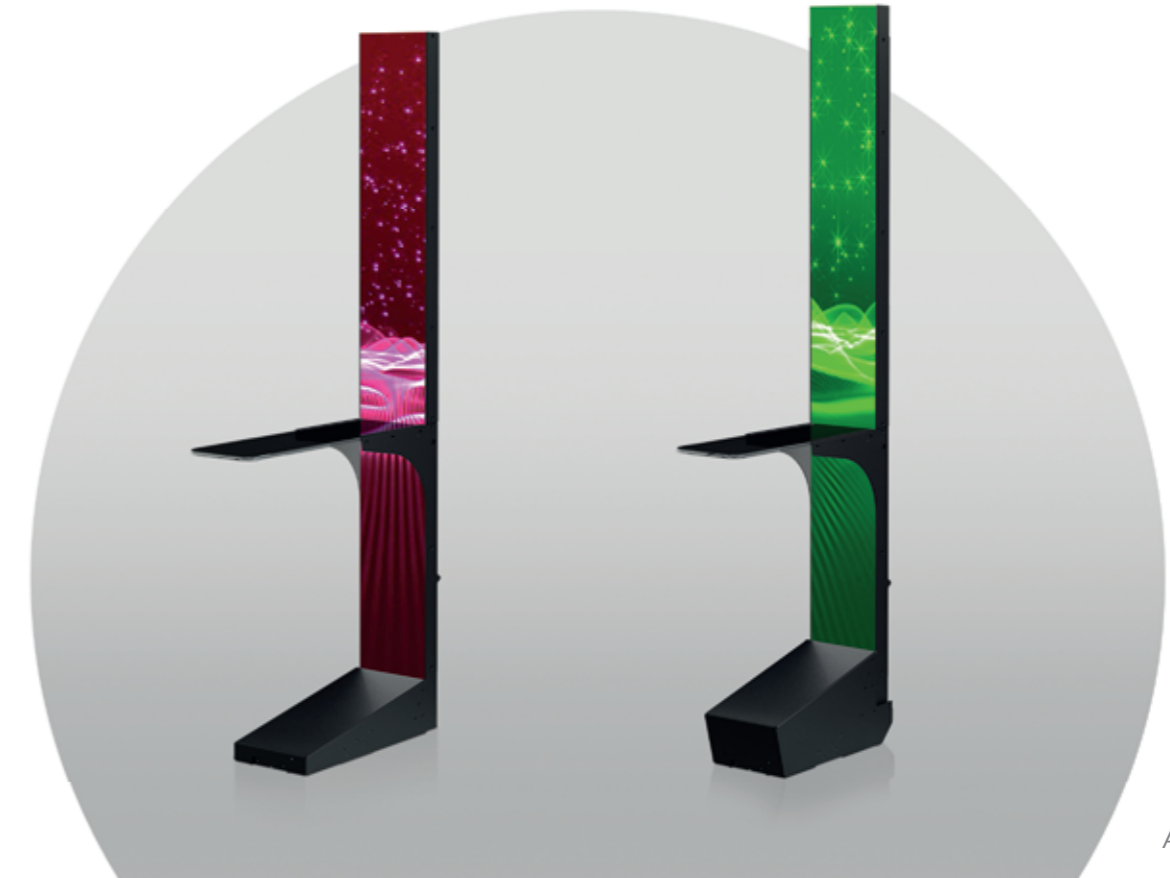
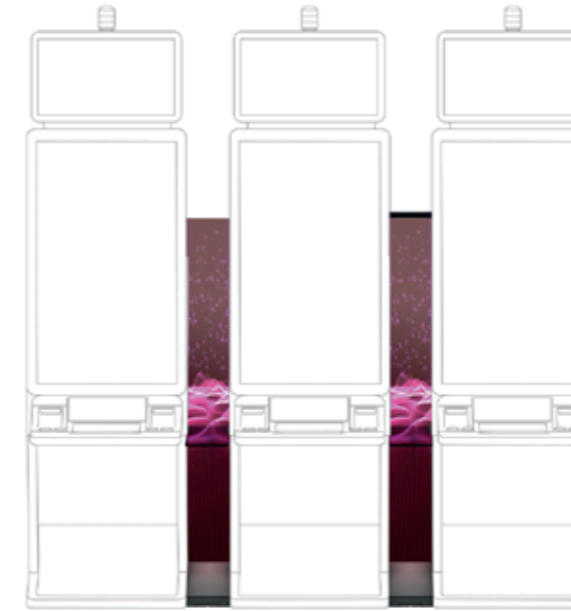
Shelf Space Accessory VIP Cabinets

- Attractive design that follows the main concept of the General panels and cabinets
- Convenient table, ensuring maximum comfort for the players
- WxHxD 477x1845x742 mm



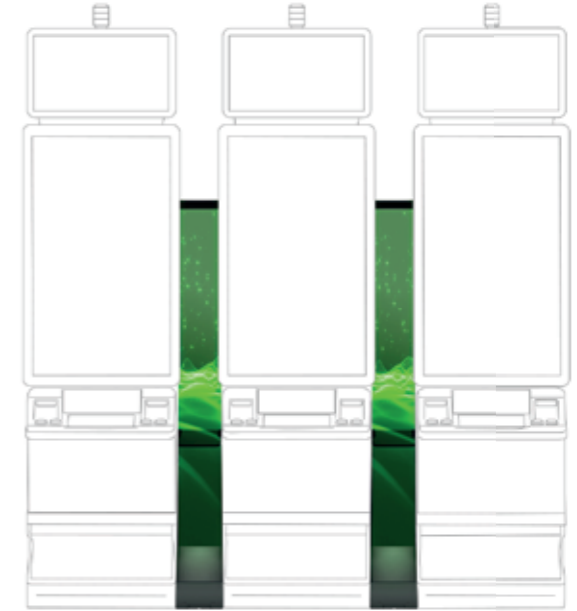
Shelf Space Accessory Slant top Cabinets

- WxHxD 210x1670x743 mm



Shelf Space Accessory Upright Cabinets

- WxHxD 210x1775x621 mm



Shelf Space Accessories

G-series Terminals Connections
0° | 12° | 45° | 60° | 90°

- 0° - Made for an arc or low angle setups
- 12° - Made for an arc or low angle setups
- 45°, 60°, 90° - Made for corner setups
- Front printed abstract design lightbox (Optional)
- Tempered glass in black color (Transparent crystal clear option is available)



Safety Shield

- Ensures players' privacy and safety
- Easily adjustable to fit all EGT machines
- Can be used with other manufacturers' cabinets.
- WxH 1250 x 1850 mm

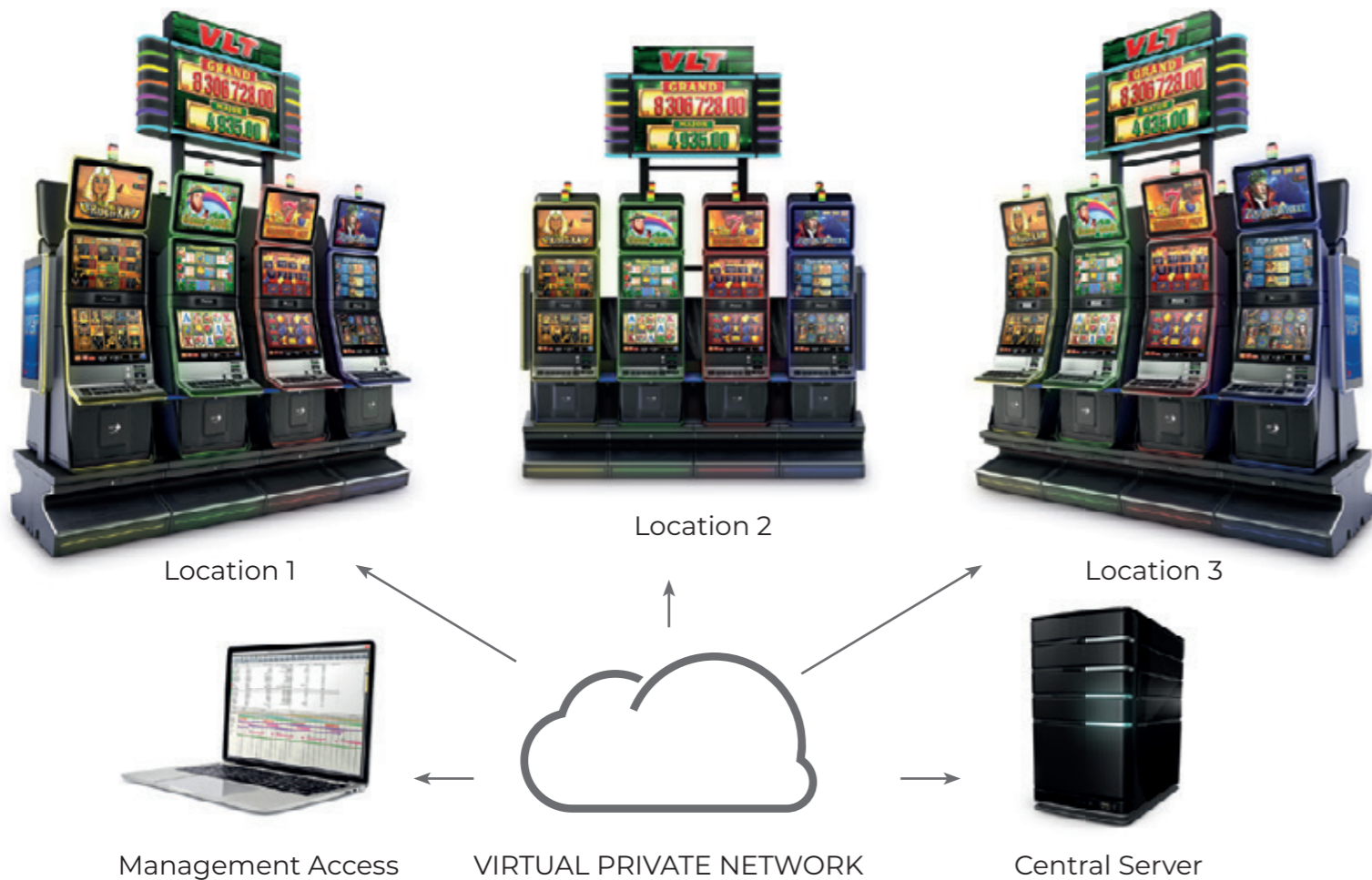


The background is a solid red color with several sets of white, parallel, curved lines that create a sense of depth and movement. One set of lines is in the top-left corner, another set is in the bottom-right corner, and a third set is in the bottom-center, all appearing to recede into the distance.

GLOBAL SOLUTION
VLT SYSTEM

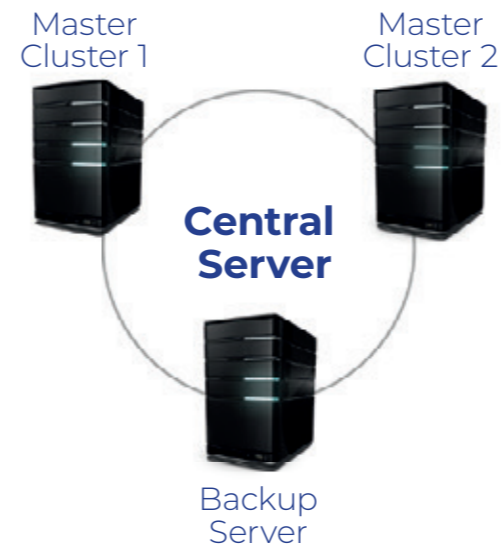
VLT

GLOBAL SOLUTION



EGT's **Global Solution VLT** is a server-based system that comprises two main components – **Central Server** and **Locations**, with an unlimited number of locations that can be connected to the Central Server.

Overall, the **Global Solution VLT** system is made to be flexible, easy to use, has a built-in ticketing system and can be modified to satisfy the clients' needs, making it very adaptable to business and regulatory requirements.



VLT Jackpot

- Mystery progressive jackpot with up to 3 levels

Central Server

- Games management and settings
- RNG
- Administrative support:
 - Accounting and reporting
 - Terminals monitoring
 - Network monitoring
 - Server monitoring
- Distributed load balance Processing
- Cluster server organization for optimal performance and maximum reliability

Communication Network

- Provides data traffic between the central server and the locations
- Advantages:
 - Site-To-Site VPN
 - SSL certificate authorization
 - Easy system scaling
- Communication based on TCP/IP with TLS and RSA Encryption over the VPN



Data Reports & Analysis

Parameters and data, exported in tables or reported, observed and accounted in real time on the server.



Locations

- VLT terminals:
 - 2 x widescreen displays
 - Topper (optional)
 - Bill acceptor
 - Coin acceptor
 - Ticket printer
 - Powered by Exciter II and Exciter III Gaming Platforms
- Include well-known and proven games with high definition graphics
- Cash Desk:
 - Validation of issued tickets
 - History of last 10 validated tickets
 - Simple operation
 - Daily ticketing reporting
- Jackpot Media Player

VLT

GLOBAL SOLUTION




MULTIGAMES

Jackpots	VLT Jackpot
Options & Features	Multi-denomination Autoplay Gamble Multi-language
Platform	EXCITER III
SAS Protocol	SAS 6.02
Cabinets	P-27/32H St P-27/27 St P-27/27 St Slim P-24/24 Up

GREEN COLLECTION VLT

- | | |
|---------------------------|------------------------|
| 1 20 Super Hot | 19 20 Joker Reels |
| 2 40 Super Hot | 20 20 Hot Blast |
| 3 100 Super Hot | 21 Dorothy's Fairyland |
| 4 5 Dazzling Hot | 22 Brave Cat |
| 5 Burning Hot | 23 Fortune Spells |
| 6 40 Burning Hot | 24 Egypt Sky |
| 7 Flaming Hot | 25 Extremely Hot |
| 8 Amazons' Battle | 26 40 Lucky King |
| 9 Ancient Dynasty | 27 Dice & Roll |
| 10 Pin Up Queens | 28 more Dice&Roll |
| 11 The Story of Alexander | 29 Lucky Hot |
| 12 Almighty Ramses II | 30 Ultimate Hot |
| 13 Shining Crown | 31 Olympus Glory |
| 14 40 Mega Clover | 32 Majestic Forest |
| 15 30 Spicy Fruits | 33 Age of Troy |
| 16 Extra Stars | 34 Fruits Kingdom |
| 17 Rise of Ra | 35 Secrets of Alchemy |
| 18 Versailles Gold | 36 Oil Company II |




Jackpots	VLT Jackpot
Options & Features	Multi-denomination Autoplay Gamble Multi-language
Platform	
SAS Protocol	SAS 6.02
Cabinets	P-27/32H St P-27/27 St P-27/27 St Slim P-24/24 Up

RED COLLECTION VLT

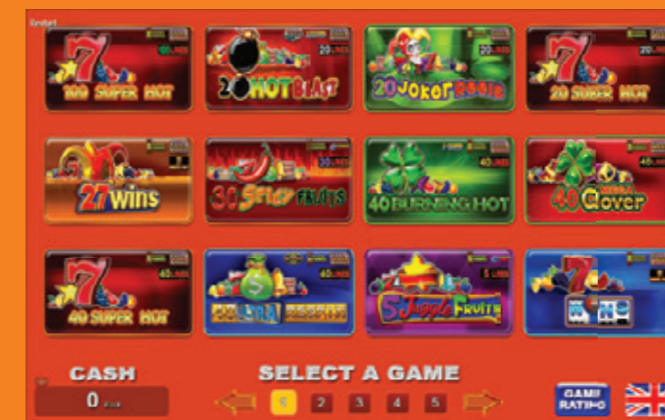
- 1 20 Super Hot
- 2 40 Super Hot
- 3 Burning Hot
- 4 5 Dazzling Hot
- 5 Flaming Hot
- 6 Amazons' Battle
- 7 50 Amazons' Battle
- 8 Pin Up Queens
- 9 The Story of Alexander
- 10 20 Joker Reels
- 11 30 Spicy Fruits
- 12 40 Mega Clover
- 13 Shining Crown
- 14 Versailles Gold
- 15 Dice & Roll
- 16 Extra Stars
- 17 Rise of Ra
- 18 Fortune Spells
- 19 40 Burning Hot
- 20 20 Hot Blast
- 21 Frog Story
- 22 Almighty Ramses II
- 23 Captain Nemo's Journey
- 24 Dorothy's Fairyland
- 25 20 Charming Joker
- 26 20 Dazzling Hot
- 27 Lucky Hot
- 28 Ultimate Hot
- 29 5 Juggle Fruits
- 30 Zodiac Wheel
- 31 Ancient Dynasty
- 32 Gold Dust
- 33 Imperial Wars
- 34 Olympus Glory
- 35 Game of Luck
- 36 Penguin Style
- 37 Brave Cat
- 38 Extremely Hot
- 39 27 Wins
- 40 Great 27
- 41 Secrets of Alchemy
- 42 Supreme Hot
- 43 The White Wolf
- 44 Book of Magic
- 45 Dragon Reborn
- 46 Witches' Charm
- 47 Egypt Sky
- 48 81 Wins



Jackpots	VLT Jackpot
Options & Features	Multi-denomination Autoplay Gamble Multi-language
Platform	
SAS Protocol	SAS 6.02
Cabinets	P-27/32H St P-27/27 St P-27/27 St Slim P-24/24 Up


ORANGE COLLECTION VLT

The Orange Collection VLT enables the operator to choose the participating games in the mix and to arrange their positions on the screen – a feature that customizes the product according to various tastes and requirements and is highly appreciated by the customers.




PURPLE COLLECTION VLT

- | | |
|---------------------------|--------------------------|
| 1 20 Super Hot | 25 20 Charming Joker |
| 2 40 Super Hot | 26 20 Dazzling Hot |
| 3 Burning Hot | 27 Lucky Hot |
| 4 5 Dazzling Hot | 28 Ultimate Hot |
| 5 Flaming hot | 29 Dice & Roll |
| 6 Amazons' Battle | 30 more Dice & Roll |
| 7 Burning Hot 6 reels | 31 50 Amazons' Battle |
| 8 Rainbow Luck | 32 Blue Oceans |
| 9 Flaming Hot Extreme | 33 40 Lucky King |
| 10 Volcano Wealth | 34 Genius of Leonardo |
| 11 20 Burning Hot | 35 The Secrets of London |
| 12 Vampire Night | 36 Retro Cabaret |
| 13 Shining Crown | 37 Brave Cat |
| 14 40 Mega Clover | 38 Circus Brilliant |
| 15 40 Burning Hot | 39 Rainbow Queen |
| 16 Extra Stars | 40 Empress Charm |
| 17 Rise Of Ra | 41 Secrets of Alchemy |
| 18 Versailles Gold | 42 Fortune Spells |
| 19 40 Burning hot 6 reels | 43 Captain's Nemo Jorney |
| 20 Cats Royal | 44 Fruits Kingdom |
| 21 Lucky Wood | 45 Ancient Dynasty |
| 22 Almighty Ramsess II | 46 Olympus Glory |
| 23 30 Spicy Fruits | 47 Egypt Sky |
| 24 100 Super hot | 48 Dorothy's Fairyland |

Jackpots	VLT Jackpot
Options & Features	Multi-denomination Autoplay Gamble Multi-language
Platform	
SAS Protocol	SAS 6.02
Cabinets	P-27/32H St P-27/27 St P-27/27 St Slim P-24/24 Up



Platform	
Cabinets	G 27-27 ST G 27-27 UP
G2S classes	Communications Class Cabinet Class GamePlay Class Download GAT NoteAcceptor Class IdReader Class PUI Player Class InformedPlayer Class MediaDisplay Class MMJ Class PLR Class Wat Class Handpay Class

G2S

ready





Jackpots	G2S Mystery jackpot
Options & Features	Autoplay Gamble Multi-language
Platform	EXCITER III
SAS Protocol	G2S
Cabinets	G 27-27 UP G 27-27 ST

VLT

Greece G2S

- 1 20 Super Hot
- 2 40 Super Hot
- 3 40 Burning Hot
- 4 40 Shining Crown
- 5 Flaming Hot
- 6 Shining Crown Cash Heat
- 7 The Great Exploit
- 8 Book of Magic Dazzle Cash
- 9 Book of Realm
- 10 Flaming Hot Extreme
- 11 20 Super Hot Epic Cash
- 12 Mighty Sparta Epic Cash
- 13 Burning Hot
- 14 Shining Crown
- 15 Amazons' Battle
- 16 20 Hot Burst
- 17 Burning Hot Epic Cash
- 18 5 Dazzling Hot
- 19 10 Action Diamonds
- 20 Eastern Carnival
- 21 Genie's Temple
- 22 Flower Land
- 23 20 Diamonds
- 24 30 Spinning 7's
- 25 Lucky Food
- 26 Cats Royal
- 27 Rise of Ra
- 28 Secrets of Alchemy
- 29 Versailles Gold
- 30 Olympus Glory
- 31 Penguin Style
- 32 10 Burning Hot Burning Spins






VLT ITALY

Options & Features	Autoplay Gamble Multi-language
Platform	Microsoft Windows based PC
Cabinets	P-27/32H St P-27/27 St Slim P-24/24 Up



VLT ITALY

- 1 Burning Hot Coins
- 2 Zodiac Wheel Coins
- 3 10 Joker Reels Coins
- 4 20 Super Hot Coins
- 5 Zodiac Wheel
- 6 Book of Realm
Burning Spins
- 7 81 Wins
- 8 50 Burning Hot
- 9 Almighty Ramses II
- 10 Burning Hot
- 11 27 Wins
- 12 10 Jocker Reels
- 13 Olympus Glory
- 14 Witches' Charm
- 15 Rise of Ra
- 16 Dreams of Gods


Jackpots	Jackpot GS
Options & Features	Multi-denomination Autoplay Gamble Multi-language
Platform	
SAS Protocol	SAS 6.02
Cabinets	P-27/32H St P-27/27 St P-27/27 St Slim P-24/24 Up

Romanian Market

RED COLLECTION GS

- | | |
|---------------------------|-----------------------|
| 1 20 Super Hot | 26 20 Dazzling Hot |
| 2 40 Super Hot | 27 Lucky Hot |
| 3 Burning Hot | 28 Ultimate Hot |
| 4 5 Dazzling Hot | 29 5 Juggle Fruits |
| 5 Flaming Hot | 30 Zodiac Wheel |
| 6 Amazons' Battle | 31 Ancient Dynasty |
| 7 50 Amazons' Battle | 32 Gold Dust |
| 8 Pin Up Queens | 33 Imperial Wars |
| 9 The Story of Alexander | 34 Olympus Glory |
| 10 20 Joker Reels | 35 Game of Luck |
| 11 30 Spicy Fruits | 36 Penguin Style |
| 12 40 Mega Clover | 37 Brave Cat |
| 13 Shining Crown | 38 Extremely Hot |
| 14 Versailles Gold | 39 27 Wins |
| 15 Dice & Roll | 40 Great 27 |
| 16 Extra Stars | 41 Secrets of Alchemy |
| 17 Rise of Ra | 42 Supreme Hot |
| 18 Fortune Spells | 43 The White Wolf |
| 19 40 Burning Hot | 44 Book of Magic |
| 20 20 Hot Blast | 45 Dragon Reborn |
| 21 Frog Story | 46 Witches' Charm |
| 22 Almighty Ramses II | 47 Egypt Sky |
| 23 Captain Nemo's Journey | 48 81 Wins |
| 24 Dorothy's Fairyland | |
| 25 20 Charming Joker | |

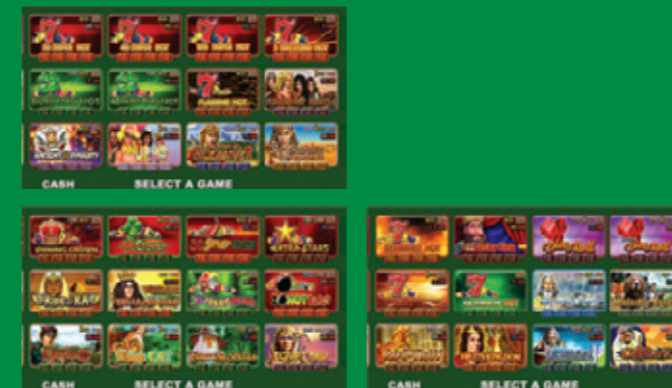


Jackpots	Jackpot GS
Options & Features	Multi-denomination Autoplay Gamble Multi-language
Platform	
SAS Protocol	SAS 6.02
Cabinets	P-27/32H St P-27/27 St P-27/27 St Slim P-24/24 Up

Romanian Market

GREEN COLLECTION GS

- | | |
|---------------------------|-----------------------|
| 1 20 Super Hot | 26 40 Lucky King |
| 2 40 Super Hot | 27 Dice & Roll |
| 3 100 Super Hot | 28 more Dice & Roll |
| 4 5 Dazzling Hot | 29 Lucky Hot |
| 5 Burning Hot | 30 Ultimate Hot |
| 6 40 Burning Hot | 31 Olympus Glory |
| 7 Flaming Hot | 32 Majestic Forest |
| 8 Amazons' Battle | 33 Age of Troy |
| 9 Ancient Dynasty | 34 Fruits Kingdom |
| 10 Pin Up Queens | 35 Secrets of Alchemy |
| 11 The Story of Alexander | 36 Oil Company II |
| 12 Almighty Ramses II | |
| 13 Shining Crown | |
| 14 40 Mega Clover | |
| 15 30 Spicy Fruits | |
| 16 Extra Stars | |
| 17 Rise of Ra | |
| 18 Versailles Gold | |
| 19 20 Joker Reels | |
| 20 20 Hot Blast | |
| 21 Dorothy's Fairyland | |
| 22 Brave Cat | |
| 23 Fortune Spells | |
| 24 Egypt Sky | |
| 25 Extremely Hot | |





AWP
CABINETS

G 32-32 VIP AWP



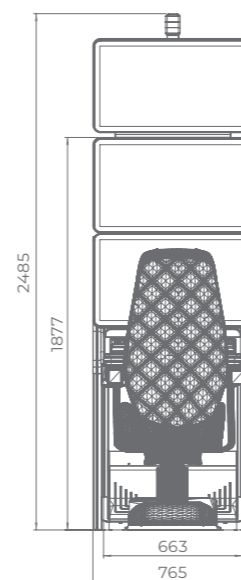
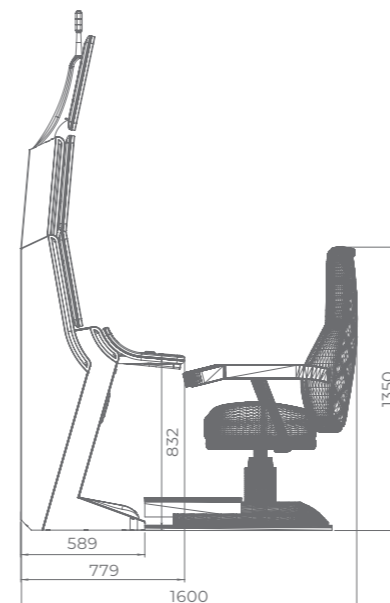
- Two high-resolution 32" widescreen monitors
- Touch screen equipped on the main display
- Overhead multimedia topper with a 32" monitor (optional)
- Frameless HD display with exceptional visual clarity
- Exquisite design and ergonomic features, ensuring maximum comfort
- Wide and convenient keyboard with dynamic touch display and electromechanical buttons
- Specially designed key systems for more ease of use by an operator
- High-quality stereo sound system
- Ambient, attractive LED illumination alongside the cabinet
- Built-in USB port for fast charging
- Powered by **EXCITER III**® and **EXCITER IV**® platform

Comfortable multimedia chair that includes:

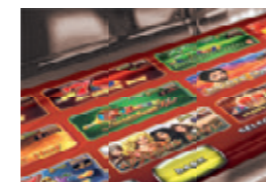
- High-quality stereo sound speakers
- Sound volume control
- The functions: Start, Auto Play, Select Game, Gamble, Take Win, Select Bet and Lines

Peripheral Devices:

- Printer (Ticket-In and Ticket-Out)
- Bill recycler
- Coin acceptor
- Hopper



Dynamic touch keyboard

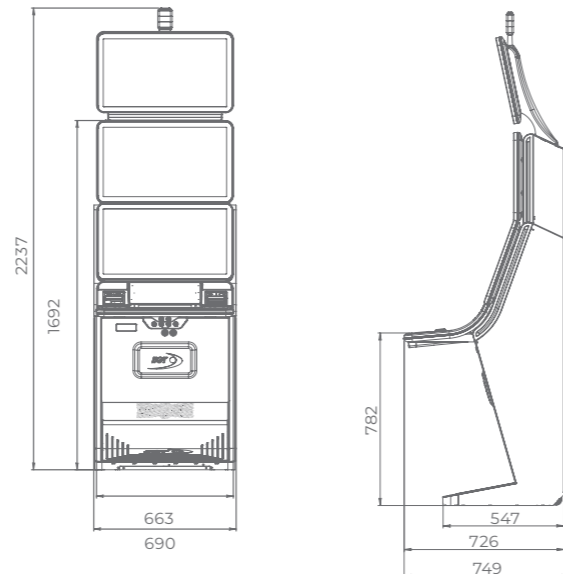


G 27-27 ST AWP

- Two high-resolution 27" widescreen monitors
- Touch screen equipped on the main display
- Overhead multimedia topper with a 27" monitor (optional)
- Frameless HD display with exceptional visual clarity
- Exquisite design and ergonomic features, ensuring maximum comfort
- Wide and convenient keyboard with dynamic touch display and electromechanical buttons
- Specially designed key systems for more ease of use by an operator
- High-quality stereo sound system
- Ambient, attractive LED illumination alongside the cabinet
- Built-in USB port for fast charging
- Powered by **EXCITER III** and **EXCITER IV** platform

Peripheral Devices:

- Printer (Ticket-In and Ticket-Out)
- Bill validator
- Coin acceptor



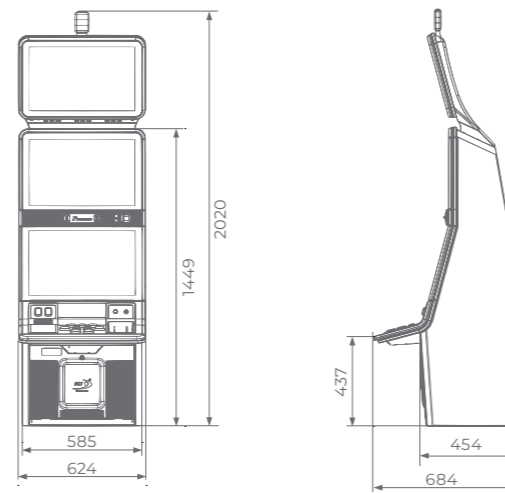
P-24/24 UP AWP



- Two high-resolution 24" widescreen monitors, the main one with an integrated touch screen for greater interactivity
- Overhead multimedia topper with a 24" monitor (optional)
- Enhanced quality stereo sound system
- Ambient, attractive LED illumination alongside the cabinet
- Easily accessible and visible mechanical counters
- Ergonomic features, ensuring maximum comfort
- Convenient access through an electronic key system
- Powered by **EXCITER III** platform

Peripheral Devices:

- Bill recycler
- Coin acceptor
- 2 hopper devices



Multimedia topper (optional)

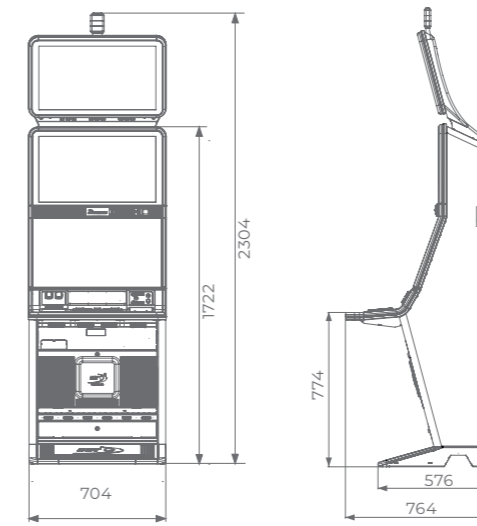
P-27/27 ST AWP



- Two high-resolution 27" widescreen monitors, the main one with an integrated touch screen for greater interactivity
- Overhead multimedia topper with a 27" monitor (optional)
- Enhanced quality stereo sound system
- Ambient, attractive LED illumination alongside the cabinet
- Easily accessible and visible mechanical counters
- Ergonomic features, ensuring maximum comfort
- Convenient access through an electronic key system
- Powered by **EXCITER III** platform

Peripheral Devices:

- Bill recycler
- Coin acceptor
- 2 hopper devices



Multimedia topper (optional)

The background is a solid red color with several sets of white, parallel, curved lines. One set of lines is in the top-left corner, another set is in the bottom-right corner, and a third set is in the bottom-center area, creating a sense of depth and movement.

AWP
MARKETS



BELL Link

Premium Progressive Controller (PPC)	Bell Link
Jackpot	Multi-level progressive jackpot
Gaming Platform	EXCITER III EXCITER IV
SAS Protocol	Support of 3rd party external jackpot systems through SAS



Bell Link has 4 exciting levels, of which the Grand and Major are progressive and common for all games and bets. Minor and Mini jackpot bells are purple and blue and can be won multiple times during the Bell Link bonus; the Grand and Major levels can be attained that way too, as well as with any bet that brings a green bell or a trio of festive red bells that signal the win of the highest Grand.



LED PANEL - BIG | 360°
WxHxD 2135x844x405 mm



LED PANEL - BIG | ONE-SIDED
WxHxD 2518x778x200 mm

AVAILABLE MULTIGAMES

BELL Link 1

Shining Crown	5 Dazzling Hot
20 Super Hot	40 Super Hot
Burning Hot	

Options & Features	Multi-language Autoplay Gamble
Payout Options	Tickets Bills Coins Cashless transfer
Platform	EXCITER III EXCITER IV
SAS Protocol	SAS 6.02
Cabinets	G 27-27 ST AWP G 32-32 VIP AWP

EGT's Red HD Collection Saloon is a new generation multigame running on the most advanced General Series cabinets - the G 32-32 VIP AWP and the G 27-27 ST AWP, which can be found in different configurations of 3- or 4- cabinets in a row formation. The available LED accessories provide a glamorous touch to the formations and increase players' excitement, making the cabinets even more attractive. The available cabinets, accessories, along with the fantastic mix of 12 games, carefully selected for the Spanish market, compose a unique solution, which will bring luster and success to any operator.

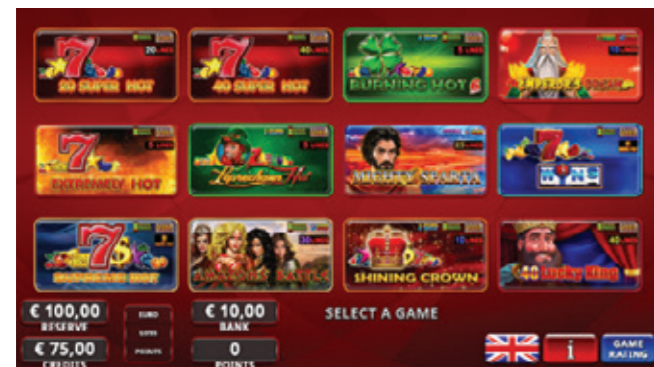
RED HD COLLECTION SALOON



Jackpot	Lady's Cards Jackpot System Tecnausa - Gran Bolsa Jackpot System
Options & Features	Autoplay Gamble Multi-language Hold and Spin
Payout Options	Tickets Bills Coins Cashless transfer
Platform	EXCITER III
SAS Protocol	SAS 6.02
Cabinets	G 32-32 VIP AWP G 27-27 ST AWP

RED COLLECTION SALOON HD contains:

- 1 20 Super Hot
- 2 40 Lucky King
- 3 40 Super Hot
- 4 Amazons' Battle
- 5 81 Wins
- 6 Burning Hot 6 reels
- 7 Emperor's Dream
- 8 Extremely Hot
- 9 Leprechaun Hot
- 10 Mighty Sparta
- 11 Supreme Hot
- 12 Shining Crown



Select game screen



Keyboard screen



GREEN HD COLLECTION SALOON

Designed to be highly attractive on the casino floor and compelling to players with every game available are two of the main characteristics of EGT's slot cabinets, but they are also made to be easily utilized by operators everywhere. The installation process is effortless, and so is configuring and arranging the machines in any way required by the operator and his establishment.

Jackpot	Lady's Cards Jackpot System Tecnausa - Gran Bolsa Jackpot System
Options & Features	Hold and Spin Cluster Wins Autoplay Gamble Multi-language
Payout Options	Bills Coins Cashless transfer
Platform	
SAS Protocol	SAS 6.02
Cabinets	P-24/24 UP AWP P-27-27 ST AWP

GREEN COLLECTION SALOON HD contains:

- | | |
|------------------|--------------------|
| 1 20 Super Hot | 7 Great 27 |
| 2 27 Wins | 8 Irish Charm |
| 3 40 Burning Hot | 9 Mighty Sparta |
| 4 40 Super Hot | 10 KENO Galaxy |
| 5 Burning Hot | 11 Versailles Gold |
| 6 El Amigo | 12 Lucky Food |

P-27/27 ST AWP Configurations:

- 2 P-27/27 ST AWP | WxHxD 1448x2260x740
- 3 P-27/27 ST AWP | WxHxD 2154x2260x740
- 4 P-27/27 ST AWP | WxHxD 2860x2260x740

Dimensions do not include jackpot panel

P-24/24 UP AWP Configurations:

- 2 P-24/24 UP AWP | WxHxD 1535 x 2410 x 620
- 3 P-24/24 UP AWP | WxHxD 2410 x 2410 x 620
- 4 P-24/24 UP AWP | WxHxD 3285 x 2410 x 620

Dimensions do not include jackpot panel




Select game screen



Screensaver screen



Customization and configurability are key advantages of our cabinet series. Grouping, arranging, and positioning them is made highly flexible in order to fulfill every establishment's needs and necessities. Players are enamored with the slick design and captivated by the engaging and entertaining gaming experience.

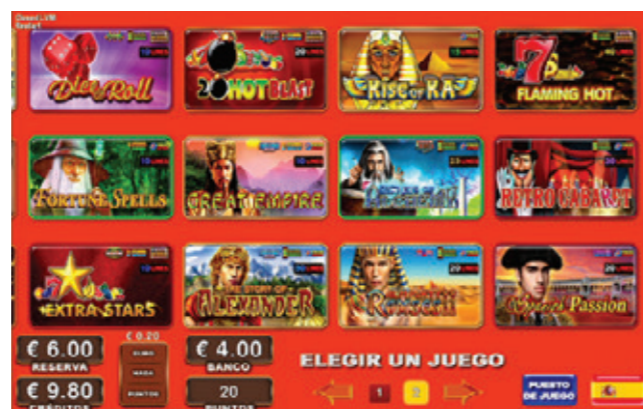
Jackpot	Lady's Cards Jackpot System Tecnausa - Gran Bolsa Jackpot System
Options & Features	Autoplay Gamble Multi-language
Payout Options	Bills Coins Cashless transfer
Platform	
SAS Protocol	SAS 6.02
Cabinets	P-24/24 UP AWP P-27/27 ST AWP

ORANGE COLLECTION SALOON contains:

- | | |
|-------------------|---------------------------|
| 1 20 Super Hot | 13 Dice & Roll |
| 2 40 Super Hot | 14 20 Hot Blast |
| 3 Burning Hot | 15 Rise of Ra |
| 4 Versailles Gold | 16 Flaming Hot |
| 5 Zodiac Wheel | 17 Fortune Spells |
| 6 Amazons' Battle | 18 Great Empire |
| 7 Lucky Hot | 19 Secrets of Alchemy |
| 8 Fruits Kingdom | 20 Retro Cabaret |
| 9 Olympus Glory | 21 Extra Stars |
| 10 40 Mega Clover | 22 The Story of Alexander |
| 11 Shining Crown | 23 Almighty Ramses II |
| 12 5 Dazzling Hot | 24 Spanish Passion |



Select game screen 1



Select game screen 2

ORANGE COLLECTION SALOON



P-27/27 ST AWP Configurations:

- 2 P-27/27 ST AWP | WxHxD 1448x2260x740
 - 3 P-27/27 ST AWP | WxHxD 2154x2260x740
 - 4 P-27/27 ST AWP | WxHxD 2860x2260x740
- Dimensions do not include jackpot panel

P-24/24 UP AWP Configurations:

- 2 P-24/24 UP AWP | WxHxD 1535 x 2410 x 620
 - 3 P-24/24 UP AWP | WxHxD 2410 x 2410 x 620
 - 4 P-24/24 UP AWP | WxHxD 3285 x 2410 x 620
- Dimensions do not include jackpot panel



PURPLE HD COLLECTION



Options & Features	Bonus Prize Feature Prize Multipliers Thriller Games Wild Feature Coffee Break Multi-language
Payout Options	Bills Coins Cashless transfer
Platform	EXCITER III EXCITER IV
VAN Protocol	VAN 18 F2
Cabinets	G 27-27 ST AWP (video-keyboard) G 32-32 VIP AWP (video-keyboard) P-24/24 UP AWP P-27-27 ST AWP

● **PURPLE COLLECTION HD contains:**

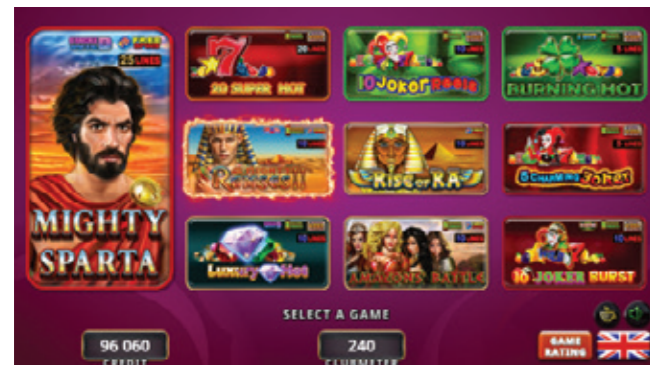
- 1 Mighty Sparta
- 2 20 Super Hot
- 3 10 Joker Reels
- 4 Burning Hot
- 5 Almighty Ramses II
- 6 Luxury Hot
- 7 Amazons' Battle
- 8 Rise of Ra
- 9 5 Charming Joker
- 10 10 Joker Burst

G 27-27 ST AWP Configurations:

- 3 G 27-27 ST AWP | WxHxD 2468x2237x749
- 4 G 27-27 ST AWP | WxHxD 3362x2237x749

P-27/27 ST AWP Configurations:

- 2 P-27/27 ST AWP | WxHxD 1448x2260x740
- 3 P-27/27 ST AWP | WxHxD 2154x2260x740
- 4 P-27/27 ST AWP | WxHxD 2860x2260x740



Select game screen



Screensaver screen



ORANGE COLLECTION



Options & Features	Multi-language Coffee Break feature Thriller Games feature
Payout Options	Bills Coins Cashless transfer
Platform	EXCITER III
VAN Protocol	VAN 18 F2
Cabinets	P-24/24 UP P-27-27 ST AWP

● **ORANGE COLLECTION** contains:

- 1 Burning Hot
- 2 20 Super Hot
- 3 Rise of Ra
- 4 10 Joker Reels
- 5 Burning Hot 6 reels
- 6 81 Wins
- 7 5 Charming Joker
- 8 Almighty Ramses II
- 9 Extremely Hot
- 10 Vampire Night
- 11 27 Wins
- 12 Extra Stars

P-24/24 UP AWP Configurations:

- 2 P-24/24 UP AWP | WxHxD 1535 x 2410 x 620
- 3 P-24/24 UP AWP | WxHxD 2410 x 2410 x 620
- 4 P-24/24 UP AWP | WxHxD 3285 x 2410 x 620




Select game screen 1



Screensaver screen

Selected Premier cabinets house our new selection specially curated for the South African market. Players can indulge in 12 titles on the classic P 24-24 UP, enjoying a visually stunning and enthralling gaming experience, a high-quality sound system and even an in-game spin wheel specially designed for South Africa, called the Thriller Game.

Options & Features	Easy Games Easy Spin Respin Thriller Games
Payout Options	Bills Cashless transfer
Platform	
SAS Protocol	SAS 6.02
Cabinets	P-24/24 UP

● **BIG 5 COLLECTION LION** contains:

- 1 5 Charming Joker
- 2 5 Dazzling Hot
- 3 Almighty Ramses II
- 4 Amazon's Battle
- 5 Burning Hot
- 6 Coral Island
- 7 Dice & Roll
- 8 Emperor's Dream
- 9 Extra Stars
- 10 Flaming Hot Extreme
- 11 Olympus Glory
- 12 Rise of Ra



Select game screen 1




Thriller game screen

BIG 5 COLLECTION LION

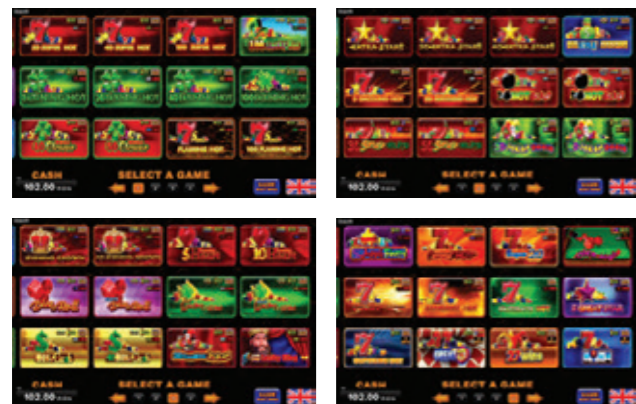


A vast array of Premier and Vega Vision slant top and upright cabinets are available, famous for their high performance and elegant design. Their ergonomic features, crystal clear sound, powerful platform, and rich gaming library will team up for the top gaming satisfaction of your patrons.

Options & Features	Autoplay Gamble English language Extra Game
Payout Options	Bills Coins
Platform	
SAS Protocol	SAS 6.02
Cabinets	P-24/24 UP P-27/27 ST Slim P-24/24 UP Slim Vega Vision Vega Vision +

● **AWP FRUITS COLLECTION** contains:

- | | |
|---------------------|----------------------|
| 1 20 Super Hot | 29 Dice & Roll |
| 2 40 Super Hot | 30 more Dice & Roll |
| 3 100 Super Hot | 31 Lucky & Wild |
| 4 100 Lucky Hat | 32 more Lucky & Wild |
| 5 Burning Hot | 33 Hot & Cash |
| 6 20 Burning Hot | 34 40 Hot & Cash |
| 7 40 Burning Hot | 35 20 Charming Joker |
| 8 100 Burning Hot | 36 40 Lucky King |
| 9 40 Mega Clover | 37 5 Juggle Fruits |
| 10 50 Mega Clover | 38 Caramel Hot |
| 11 Flaming Hot | 39 Super 20 |
| 12 100 Flaming Hot | 40 Dice High |
| 13 Extra Stars | 41 Lucky Hot |
| 14 20 Extra Stars | 42 Extremely Hot |
| 15 40 Extra Stars | 43 Ultimate Hot |
| 16 40 Ultra Respin | 44 5 Great Star |
| 17 5 Dazzling Hot | 45 Supreme Hot |
| 18 20 Dazzling Hot | 46 Great 27 |
| 19 20 Hot Blast | 47 27 Wins |
| 20 50 Hot Blast | 48 81 Wins |
| 21 30 Spicy Fruits | |
| 22 50 Spicy Fruits | |
| 23 20 Joker Reels | |
| 24 40 Joker Reels | |
| 25 Shining Crown | |
| 26 40 Shining Crown | |
| 27 5 Burning Heart | |
| 28 10 Burning Heart | |



Select game screens

AWP FRUITS COLLECTION



The background is a solid red color with several sets of white, parallel, curved lines. One set of lines is in the top-left corner, another set is in the bottom-right corner, and a third set is in the bottom-center area, all creating a sense of depth and movement.

SPIDER
Casino Management System

Spider's key features

ACCOUNTING MODULE

Upgrade your day-to-day casino management activities to the next level and have all the needed detailed reports at hand. Get a clear view on any aspect that will make your business even more successful and be in touch 24/7 with the gaming machines on your casino floor.

CAGE MODULE

Control all cash operations in your casino, have a detailed transaction history and real-time balance level.

TITO MODULE

Get better control and increase the security of the casino cash flow. Combine them with "promotional tickets" as an additional bonus tool.

VAULT MODULE

Process unlimited cage and table sessions. The real-time money and chips inventory will give you a clear view to all the funds in your casino.

JACKPOT MODULE

Increase your players' excitement by adding a local, or wide-area progressive, or mystery jackpot. Customize your system templates to suit your needs and taste.

SECURITY AND ALARM MODULE

Configure different user access levels and receive real-time notifications from your Spider system. Be sure that your casino will keep on running smoothly as planned.

PLAYER TRACKING

Identify the different types of players in your casino, so you could tailor your approach to everyone. Segment your players using multiple criteria.

BONUSING MODULE

Motivate the players to return to your casino again and again. The automated campaigns and targeted promotions will help you increase the revenue and dominate over the competitors.

CASHLESS MODULE

Provide the players with the comfort to use their loyalty cards as an eWallet. Decrease the costs compared to TITO and have a more secure way to transfer money and redeem bonuses.

TABLES MANAGEMENT MODULE

Get full control over the tables section on your casino floor. Include your tables into all accounting, player tracking, and bonusing activities.

RAFFLES MODULE

Customize your raffle campaigns with different ticket accumulation and participation criteria while having unlimited counts to suit your personal needs.

LUCKY BOX AND LUCKY CARDS BONUS FEATURE

Choose the bonus feature based and personalize the prizes, trigger, and participation criteria to captivate players.

CASHLESS WAGER BONUS

You configure the wager options by giving the player opportunity to track it and have a separate one in their eWallet.

WIN THE SPIN BONUS FEATURE

Provides operators with the opportunity to set up a range of rewards, and after the fulfillment of different criteria defined by operators, players get the chance to play roulette. What they earn from it generates a bonus that can be cashed out.

SPIDER LOYALTY CLUB MOBILE APP

Use the loyalty club app to have easy access to redeem bonuses, fund transfers, and get info about players, raffle tickets, and jackpots all in one place.

TOURNAMENTS MODULE

Allows operators to offer competition to their customers with flexible scoring logic.

Why is it worth your investment?

- Fast to install and easy to connect
- User-friendly interface
- Requires a simple IT infrastructure
- Provides remote management and control over your casino
- Fully customizable to fit various operators' requirements
- 24/7 support from a highly professional team



ACCOUNTING MODULE

- Daily reports
- Jurisdictional reports
- Real-time meters view
- Custom reports builder

CAGE MODULE

- Issue and redeem tickets
- Foreign currency exchange with variable rates, adjusted by the operator
- Processing handpays, jackpots and all the income and outcome funds in the casino

TITO MODULE

- Cashable and promotional tickets
- Reduced operation costs
- Detailed ticket states and accounting information
- Decreases handpays to a minimum

VAULT MODULE

- Real-time cash balance
- Multiple Cage sessions
- Redemption machines support
- Bill stacker clearance



SECURITY AND ALARM MODULE

- Real-time events reporting
- Real-time alarms
- Detailed separation of user access



JACKPOT MODULE

- An ultimate jackpot solution
- Supports multigame and multi-denomination progressive jackpots
- Supports standard and time-based mystery jackpots
- Enables you to set up your jackpot schedule and client participation
- Includes a Multimedia Control Center with:
 - Full HD graphic and video panels
 - Interactive jackpot triggering frames
 - Advertising videos



PLAYER TRACKING MODULE

- Real-time player info
- Multi-site accounts
- Detailed client history
- Statistics for carded or non-carded play
- Loyalty and incentive programs for the players




BONUSING MODULE

- Powerful bonusing tools
- Different types of bonus points, cashable or promotional credit rewards
- New level of interactive instant rewarding
- Automated marketing promotions



TABLES MANAGEMENT MODULE

- Roulette and card tables support
- Table games players tracking
- Table games players bonusing
- Chip balance in real-time



CASHLESS MODULE

- Single and multisite support
- Cashable and promotional credits support
- Cost-effective compared to TITO
- PIN protected accounts



CASHLESS WAGER BONUS

- Separate Wager balance in player's eWallet
- Wager progress which can be seen by the player on PT Display
- Wager amount configurable by the operator

RAFFLES MODULE

- Unlimited count of various Raffle campaigns based on the operator's needs
- Tickets accumulation based on:
 - Bet
 - Loss balance
 - Win balance of the players
- Participation based on:
 - Time
 - Player level
 - Gender
 - Slots / Tables
 - Carded and Non-carded play
- Progressive jackpots based on the missing players' prizes
- Draws based on printed or electronic tickets

LUCKY BOX AND LUCKY CARDS BONUS FEATURE

- The bonus feature is automated campaign based on the real-time play of the players as they have the chance to choose either a box or card with a specific reward
- Trigger criteria based on:
 - Real-time Bet
 - Loss balance
 - Win balance
- Participation based on:
 - Time
 - Player level
 - Gender
 - Slots / Tables
- Multi-level support with different trigger amounts and prizes
- Prizes with "Double up" and "Try Again" option
- Multiple prize type such as:
 - Cashable credits
 - Promo credits
 - Items
- Only for Carded play

WIN THE SPIN BONUS FEATURE

- Provides operators with the opportunity to set up a range of rewards, and after the fulfillment of different criteria defined by operators, players get the chance to play roulette. What they earn from it generates a bonus that can be cashed out.
- Operators have the freedom to control and define almost everything: from stakes to prizes and configurations, which can be unlimited.



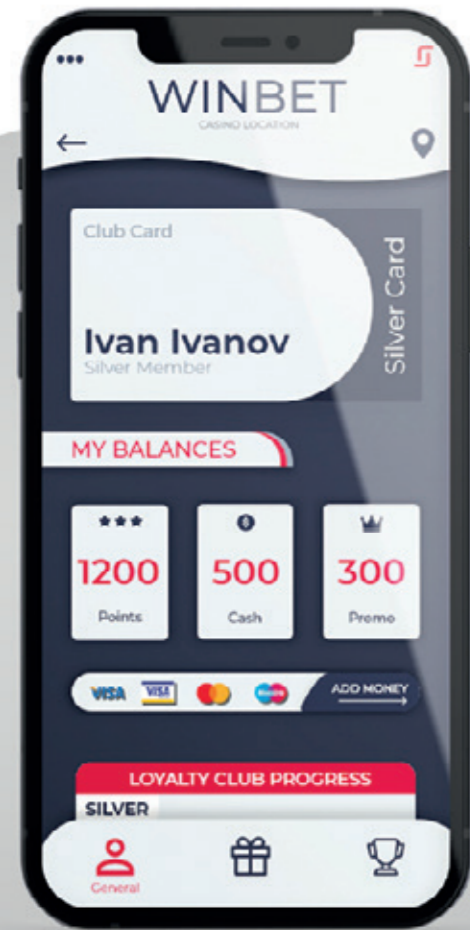
TOURNAMENTS MODULE

- Allows operators to offer competition to their customers with flexible scoring logic
- Multiple participation criteria based on:
 - Bet
 - Win
 - Bet / Win accumulation
 - Win / Bet accumulation
 - Win / Bet Max ratio
- Real time updated leaderboards
- One time / hourly / daily or monthly tournaments
- Meet player needs with customized prizes



SPIDER LOYALTY CLUB MOBILE APP

Use the loyalty club app to have easy access to redeem bonuses, fund transfers, and get info about players, raffle tickets, and jackpots all in one place.



- On-site players device verification
- Detailed player's info for:
 - Accumulated points
 - Cash and promo credits
 - Player level and progress
- Slot machine login without card
- Transfer funds from eWallet directly to gaming machine
- Redeem bonuses directly to gaming machine
- Raffles electronic tickets info
- In-app virtual POS to transfer money from player bank account to account in the casino
- Real-time Mystery and Progressive jackpots info
- Push notifications for new bonuses

SPIDER KIOSK

The Spider Kiosk significantly improves customer experience and expands revenues. Its other standout features include a lottery ticket printing option, viewing players' bonuses and viewing players' account balance – cash credits, promo credits, and points.

- Eye-catching design
- 27" full HD touchscreen monitor
- Takes little space and is easy to install at every part of the casino floor
- Fast printing ticket and raffle coupon printer
- Supports magnetic or RFID card reader



The background is a solid red color. It features several sets of white, parallel lines that curve and flow across the page. One set of lines is in the top-left corner, another set is in the bottom-right corner, and a third set is in the bottom-center, framing the text. The lines have a rounded, organic feel.

CONTACTS

EGT INTERNATIONAL

Sales and Distribution Team



Vladimir Dokov
Chief Executive Officer
+359 2 890 24 00
vladimir.dokov@egt.com



Emilia Tomachinska
Managing Director – E-Systems GmbH
Germany, Switzerland, The Baltics
+49 172 547 3558
emilia@e-systemsgmbh.de

E-Systems GmbH
EGT Distributor
Germany, Switzerland, The Baltics
Jathostr. 8, 30916 Isernhagen, Hannover, Germany
+49 511 450 6390 | Fax: +49 511 450 639 52
emilia@e-systemsgmbh.de



Taco de Leeuw
Sales Manager -
RR Gaming International BV
The Netherlands
+31 10 422 0489
taco@roulettemachines.nl

RR Gaming International BV
EGT Distributor
The Netherlands
Schuttevaerweg 9A, 3044 BA Rotterdam,
The Netherlands
+31 10 422 0489
taco@roulettemachines.nl | info@roulettemachines.nl



Nadia Popova
Chief Revenue Officer
VP Sales & Marketing
+507 62 416 599
+359 882 93 66 35
+507 386 2719
nadia.popova@egt.com

Euro Games Technology Ltd.
Panama
PH Bicsa, Office 35-03,
Calle Aquilino de La Guardia,
Panama City, Panama
Mobile: +507 62 416 599 | nadia.popova@egt.com



Alejandro Mosquera
Director – EGT Spain
Spain
+34 653 519 529
alejandro.mosquera@egt.com

Euro Games Technology Ltd.
Spain
Edificio Service Center, 100 Av. Ports d' Europa, 1st floor,
08040 Barcelona, Spain
+34 653 519 529 | alejandro.mosquera@egt.com



Parvan Parvanov
Rental Director
+359 2 890 24 44
parvan.parvanov@egt.com

Euro Games Technology Ltd.
Bulgaria
RichHill Business Center, Block A,
6 Panorama Sofia St., Sofia Park,
1756 Sofia, Bulgaria
+359 2 890 24 00 | sales@egt.com



Zornitsa Boncheva
Regional Manager - Italy
Italy
+359 878 547 061
zornitsa.boncheva@egt.com

Euro Games Technology Ltd.
Italy
Italy
+359 878 547 061
zornitsa.boncheva@egt.com



Biserka Draganova
Sales Manager – The Balkans
and Egypt
+359 894 69 67 64
biserka.draganova@egt.com

Euro Games Technology Ltd.
Bulgaria
RichHill Business Center, Block A,
6 Panorama Sofia St., Sofia Park,
1756 Sofia, Bulgaria
+359 2 890 24 00 | sales@egt.com



Stefan Dimov
Director - EGT Ireland
Ireland, Northern Ireland & Portugal
+353 879 520 387
+359 878 540 258
stefan.dimov@egt.com

Euro Games Technology Ltd.
Ireland, Northern Ireland & Portugal
16 Francis St., Dundalk,
Co Louth A91 CX46, Ireland



Csaba Pardi

Director – Demar KFT

Hungary, Slovakia, Sweden

+36 30 406 62 65
csaba.pardi@egt.com

Demar KFT

EGT Distributor

Hungary, Slovakia, Sweden

4 Vas Gereben Str., 1195 Budapest, Hungary

+36 1 348 02 21 | Fax: +36 1 348 02 22
csaba.pardi@egt.com



Maja Skelin

Sales Manager – Mutabor d.o.o.

Croatia, Montenegro, Slovenia

+385 91 366 66 96
maja.skelin@egt.com

Mutabor d.o.o.

EGT Distributor

Croatia, Montenegro, Slovenia

Savska cesta 153,
10 000 Zagreb, Croatia

Mobile: +385 91 366 66 96 | maja.skelin@egt.com



Francois Bourlier

Director - Mascot SFM

France

+33 6 03 87 29 91

Mascot SFM

EGT Distributor

France

16 rue Christophe Colomb
94730 Sucy-en-Brie, Paris, France

+33 1 56 73 20 33



Aleksandar Kliska

General Director – EGT Group d.o.o.

Serbia, Bosnia and Herzegovina -
Republika Srpska

+381 64 56 86 386
aleksandar.kliska@egt.com

EGT Group d.o.o.

Serbia

Zemunska 47,
11070 Novi Beograd-Beograd,
Serbia

+381 64 56 86 386
sales-rs@egt.com
www.egt-bg.rs

Bosnia and Herzegovina
-Republika Srpska

Cara Dušana 218, Banja Luka
Bosnia and Herzegovina
-Republika Srpska

Mobile: + 381 64 56 86 386
sales-ba@egt.com
service.ba@egt.com



Marieta Peleva

Sales Manager - EGT Poland
Poland and Belgium

+359 878 568 206
marieta.peleva@egt.com

Euro Games Technology Ltd.

Poland

Warsaw, Poland

+359 878 568 206
marieta.peleva@egt.com



Dobriyan Spirov

Regional Manager –
EGT North Macedonia
North Macedonia

+389 78 306 920
dobrian.spirov@egt.com

Euro Games Technology Ltd.

North Macedonia

1000 Skopje, North Macedonia
Bul. Boris Trajkovski 214A, Kisela Voda

+389 78 306 920 | +359 898 41 54 53
dobrian.spirov@egt.com



Ivan Grigorov

Regional Manager -
EGT Czech Republic
Czech Republic

+420 608 030 798
ivan.grigorov@egt.com

Euro Games Technology Ltd.

Czech Republic

57 Kutnohorská St.,
Prague, Czech Republic

+420 608 030 798
ivan.grigorov@egt.com



Heinrich Sasnovskiy

Director – EGT Belarus Ltd.
Belarus

+37529 680 30 30
heinrich.sasnovskiy@egt.com

EGT Belarus Ltd.

Belarus

12, Lipkovsky lane, room 424
220138 Minsk, Belarus

+37529 680 30 30 | +37529 800 09 45 | +37517 320 67 87
heinrich.sasnovskiy@egt.com
tzvetomil.nikolov@egt.com



Razvan Andronic

Sales Director – EGT Romania
Romania

+40 (758) 114 227
razvan.andronic@egt-bg.com

Euro Games Technology Ltd.

Romania

1-3 Matei Dumitru St., 020321 Bucharest,
District 2, Romania

+40 (757) 097 813 | +0374 835 760
office@egt-bg.ro | www.egt-bg.ro



Tamar Gigolashvili

Head of Sales - EGT Georgia
Georgia, Kazakhstan, Armenia, Ukraine

tamar.gigolashvili@egt.com

Euro Games Technology Ltd.

Georgia, Kazakhstan, Armenia, Ukraine

N15 Giorgi Saakadze II Ln., 0160 Tbilisi, Georgia

+995 32 24 07 365
sales.georgia@egt.com
tech-service-georgia@egt.com

**Alice Tang**

Managing Director –
Winning Asia Technology Ltd.
Macau

+85 32 871 88 48
alice@winningasia.com

Winning Asia Technology

EGT Distributor

Macau

Av. do Dr. R. Rodrigues, No. 600E,
Edif. "First Int. Comm. Centre", P906 Macau, S.A.R
Phone: +853 287 18 848 | enquiry@winningasia.com

**Yana Mihaleva**

Director –
Central America and the Caribbean
Central America and the Caribbean

+507 63 07 05 27
+359 882 93 63 09
yana.mihaleva@egt.com

Euro Games Technology Ltd.

Panama

PH Bicsa, Office 35-03,
Calle Aquilino de La Guardia,
Panama City, Panama

+507 63 07 05 27 | yana.mihaleva@egt.com

**Chuah Eng Meng**

Managing Director –
Channel Paradise Sdn. Bhd
Malaysia

+604 263 99 11
info@mychannelparadise.com
info@cp-gaming.com

Channel Paradise Sdn. Bhd

EGT Distributor

Malaysia

27, Green Hall, 10200 Georgetown,
Penang, Malaysia
+604 263 98 88
info@mychannelparadise.com | info@cp-gaming.com

**Silviya Marinova**

Director –
Euro Games Colombia S.A.S.
Colombia, Chile, Uruguay

+57 3222 690 841
+ 359 87 706 81 54
silviya.marinova@egt.com

Euro Games Colombia S.A.S.

Colombia

15-27 93rd Street, office 705,
Edificio AVANTE 93, Bogota, Colombia

+57 3222 690841 | +359 87 706 81 54
silviya.marinova@egt.com

**Sean Smith**

President – Reel Games, Inc.
USA, Florida, and Puerto Rico

+1 954 614 7995
sean@reelgamesinc.com

Reel Games, Inc.

EGT Distributor

USA, Florida, and Puerto Rico

1501 NE 13th Avenue,
Ft. Lauderdale, Florida 33304
+1 954 563 8253 | +1 954 614 7995
Fax: +1 954 564 3547 | sean@reelgamesinc.com

**Katerina Podymska**

Director – EGT Argentina S.A.
Argentina

+54 911 501 680 68
katerina.podimska@egt.com

EGT Argentina S.A.

Argentina

Lavalle 3538, Capital Federal Almagro (1190) CABA,
Buenos Aires, Argentina

+54 911 501 680 68
katerina.podimska@egt.com

**Mark Larson**

Chief Executive Officer -
Dynamic Gaming Solutions
USA, Oklahoma

+405 417 6104
mark@dynamicgamingsolutions.com

Dynamic Gaming Solutions

EGT Distributor

USA, Oklahoma

4320 South Portland Avenue
Oklahoma City, OK 73119
+405 417 6104
mark@dynamicgamingsolutions.com

**Mario Trayanski**

Director – EGT Peru
Peru

+51 920 106 820
mario.trayanski@egt.com

Euro Games Technology Ltd.

Peru

Torre ABACO, Av. Andrés Reyes 420,
Piso 10, 15046 San Isidro, Lima, Peru

+51 920 106 820
mario.trayanski@egt.com

**Pamela Gutierrez**

Sales Director - Mexico
Mexico

+52 55 54590172
pamela.gutierrez@egt.com

Euro Games Technology Ltd.

Mexico

Edificio Zurich Calle Lago Zurich N° 245 Piso 16
Int. 1603 Colonia Ampliación Granada Alc. Miguel
Hidalgo C.P. 11520

+52 55 54590172 | pamela.gutierrez@egt.com

**Lilia Georgieva**

Director – EGT Tanzania
Tanzania, Uganda, Rwanda,
Ghana, Zambia, Cameroon, Angola

+255 742 70 52 07
lilia.georgieva@egt.com

Euro Games Technology Ltd.

Tanzania, Uganda, Rwanda, Ghana,
Zambia, Cameroon, Angola

G-06 office, ground floor, Renaissance Plaza,
1391 Haile Selassie Road, Masaki,
Dar es Salaam, Tanzania

+255 742 70 52 07 | lilia.georgieva@egt.com



Steve Diversi

**Managing Director –
Custom Gaming Solutions (Pty) Ltd.**
Republic of South Africa

Mobile: +27 82 565 1238
steve@customgaming.co.za

Custom Gaming Solutions (Pty) Ltd.

EGT Distributor

Republic of South Africa

P.O. box 15664, 8018 Vlaeberg,
South Africa

+27 860 664 443 | +27 82 565 1238
Fax: +27 86 555 4677 | info@customgaming.co.za



Zsuzsanna Zeibig

Sales Manager - Kenya
Kenya

+254745074553
+34603322820
zuzi.zeibig@egt.com

Euro Games Technology Ltd.

Kenya

Nairobi, Kenya

+254745074553 | +34603322820
zuzi.zeibig@egt.com